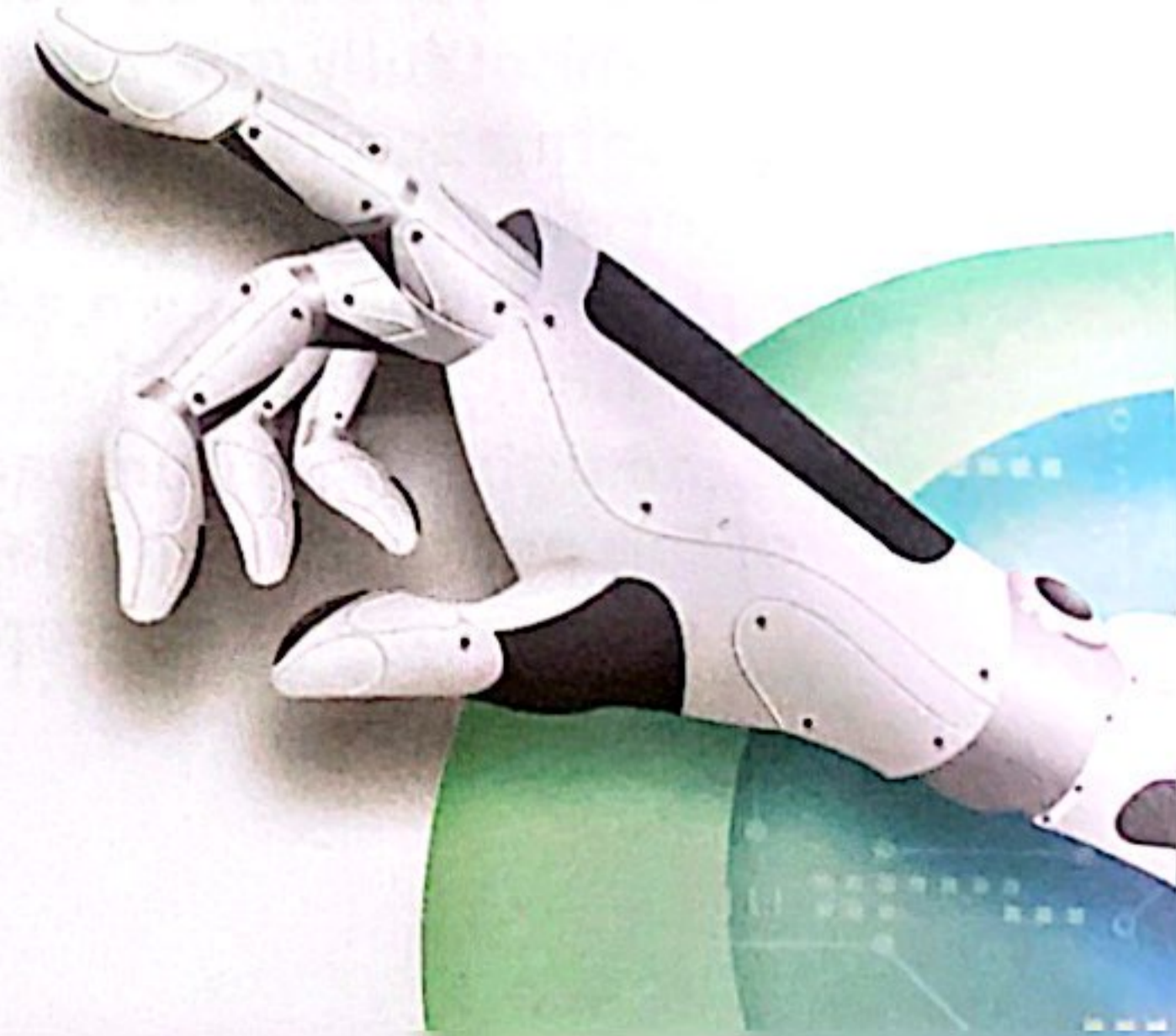
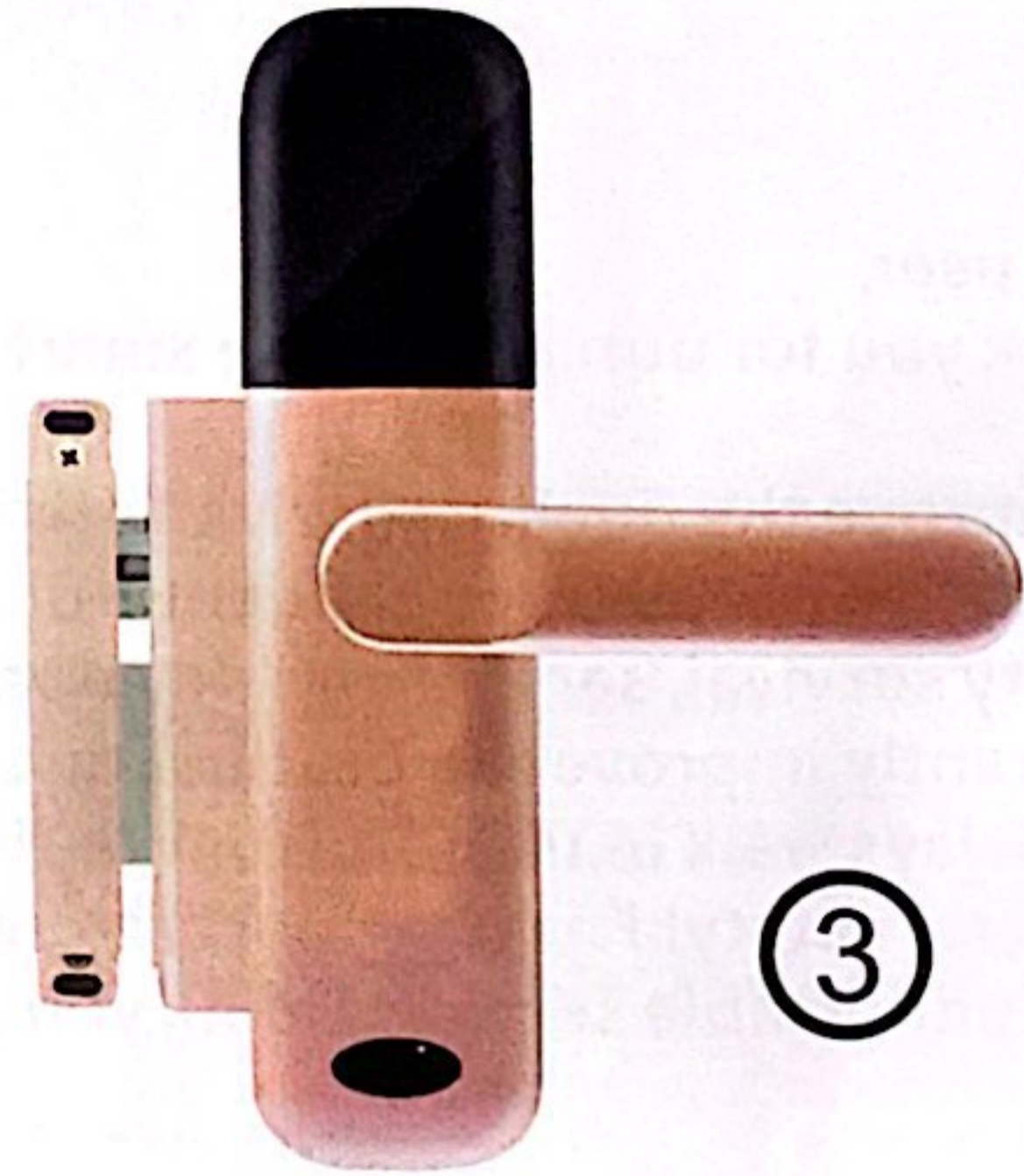
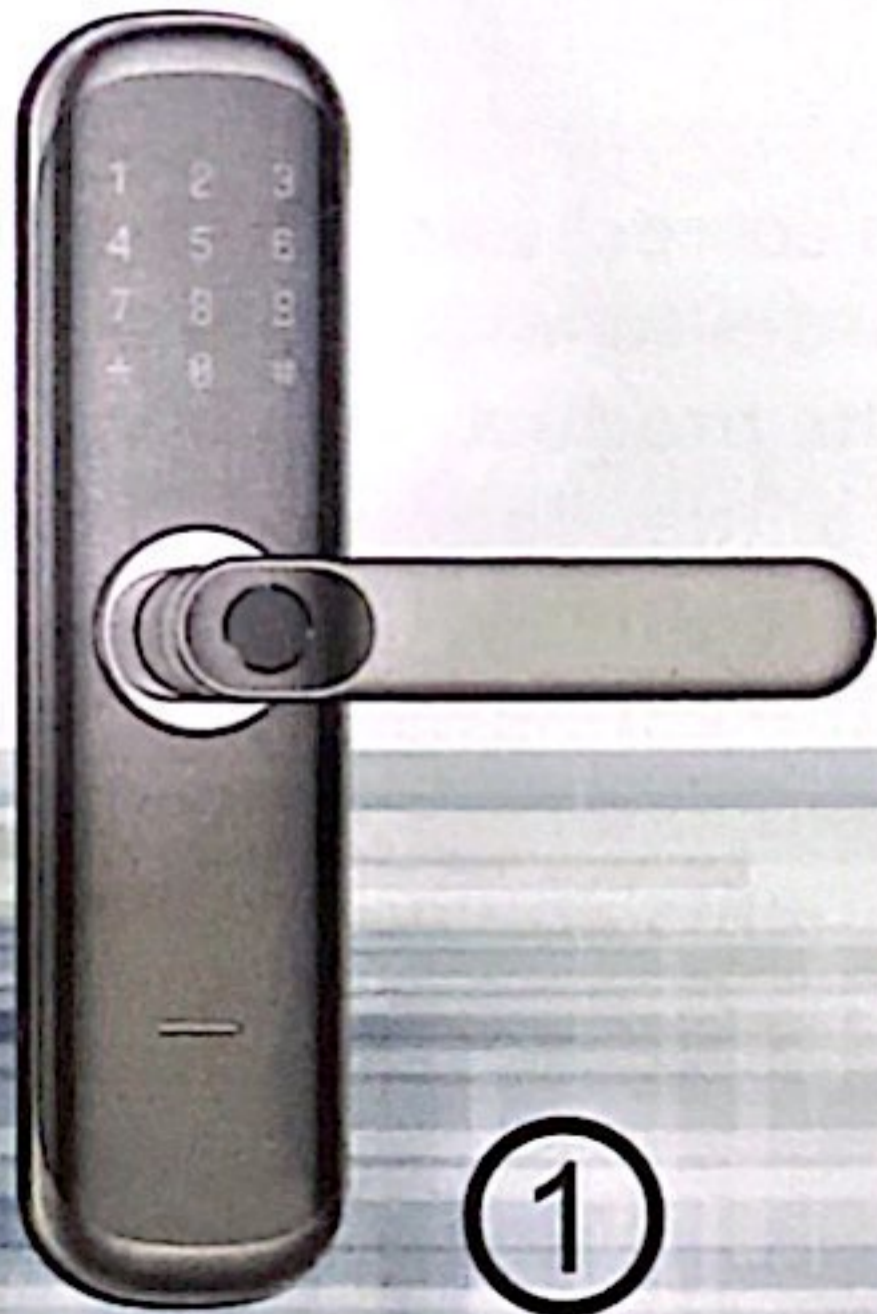


Smart Lock

Catalog description



Dear user,
Thank you for purchasing the smart door lock

To improve the quality survival with innovative technology, to create the world's most outstanding, most innovative products so that enterprises become the industry benchmark. We always adhere to the "quality survival, service and development" business philosophy. In the intelligent lock industry, all constantly improve the product quality system. our company keep up with the pace of the times. We always walk in the forefront of the industry, and always steadfastly protects the people's property safety! From products to service, we always pursue to provide you with a full range of intimate and comfortable service! Thank you for your support for smart door lock!!

Disclaimer:

We have done our best to ensure that the information provided in this manual is correct and reliable, but we cannot fully guarantee errors before and during printing. Sometimes we in order to improve the performance, reliability and safety of components and systems, may upgrade the product, which may be somewhat inconsistent with the contents of the manual, but does not affect the actual operation, if there is a change is not known, please understand! Our company will update the content regularly. If you have any questions, please call our company to answer. The final interpretation of the entire contents of this manual is the right of the Company. The functions described in this statement are not used as a reason for the use of this product for special purposes and the Company shall not be liable for accidents and hazards caused by the customer's improper operation.

Catalog description

Safety and precautions	2
Dual latch install diagram	3
#1 Appearance and dimensions	4
#2 Appearance and dimensions	5
#3 Appearance and dimensions	6
#1 Installation diagram	7-9
#2 Installation diagram	10-11
#3 Installation diagram	12-14
Functions and Operations	15-18
Functions Directive settings	19-20
System Parameters	21

Safety and precautions

- Smart door lock as a high-tech products, the installation of good or bad directly affect the normal operation and service life of the door lock, it is recommended that you install the door lock after the room has been decorated, please choose to ensure the quality of personnel to install, the factory strictly according to the company's installation standards for operation.
- Do not use in environments with strong radiation, high magnetic field, and high temperature with corrosive substances, so as not to affect the performance and life of the smart lock.
- Please initialize the door lock as soon as the door lock installation is completed and restore the lock to the initial state. And please set your electronic key Settings immediately after initialization to prevent others from illegally opening your door lock.
- Please using or change the same brand 4pcs AAA 1.5V alkaline battery, mix using of New Old battery OR using Non-destructive battery will destroy your door lock.
- In order to better feel the convenience and advanced of the company's products, please carefully read this manual before use, if there are any doubts, can directly to the company's customer service center or headquarters service center, the company has professional technical personnel for your eyes, to ensure your use of rest assured.
- **Battery not include on shipment.**

Dual latch install diagram

Remind

Product performance

Ideal for home, office indoor door lock

Suitable to 38-50mm thickness door

Determine the door direction

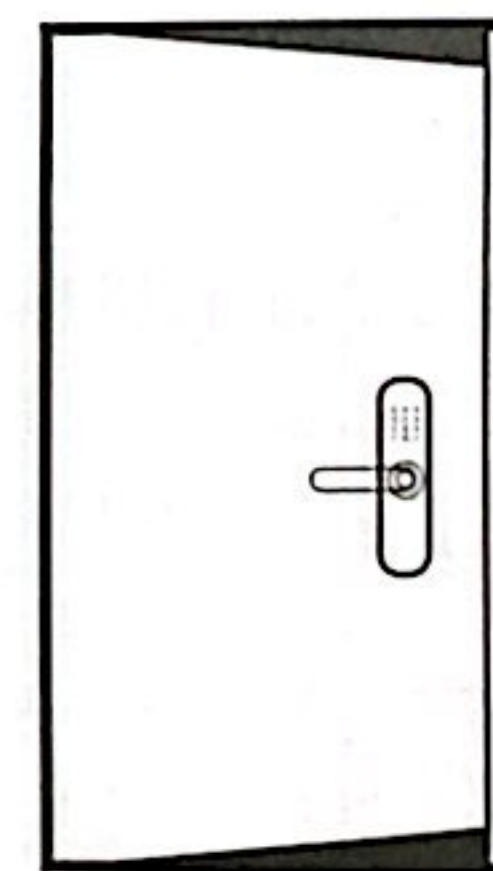
Stand outside of the door

Adjust the direction of the handle and latch bolt accordingly to the opening direction when installing the door.

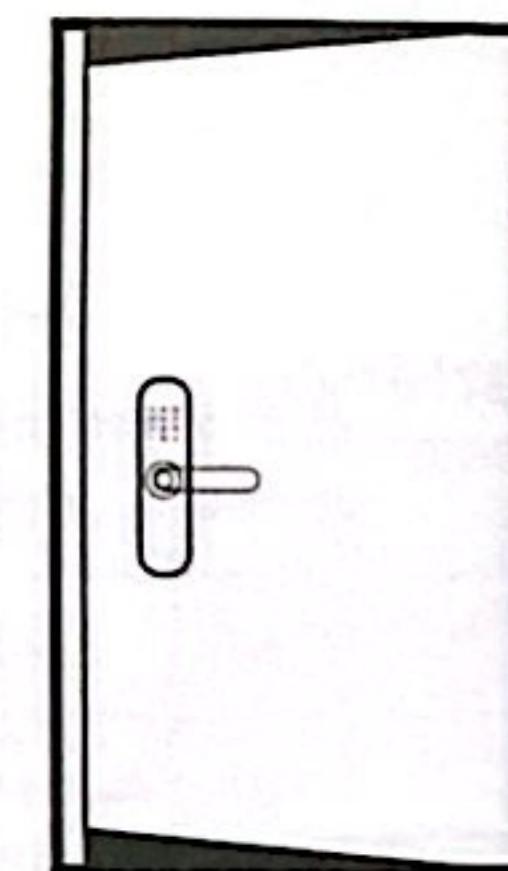
Change lock body direction

When installing the lock body, the latch bolt is on the upper side, the dead bolt under the latch bolt, and the inclined surface of the latch bolt is facing the opening direction.

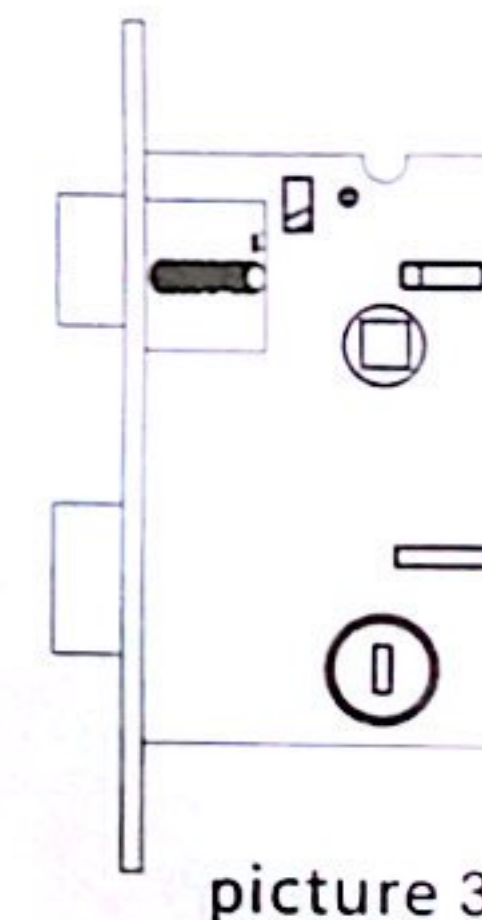
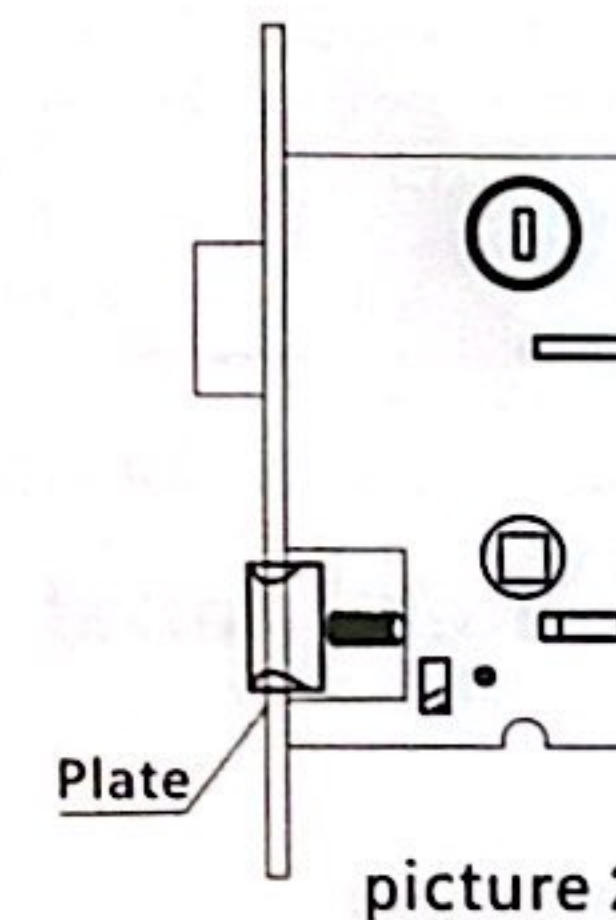
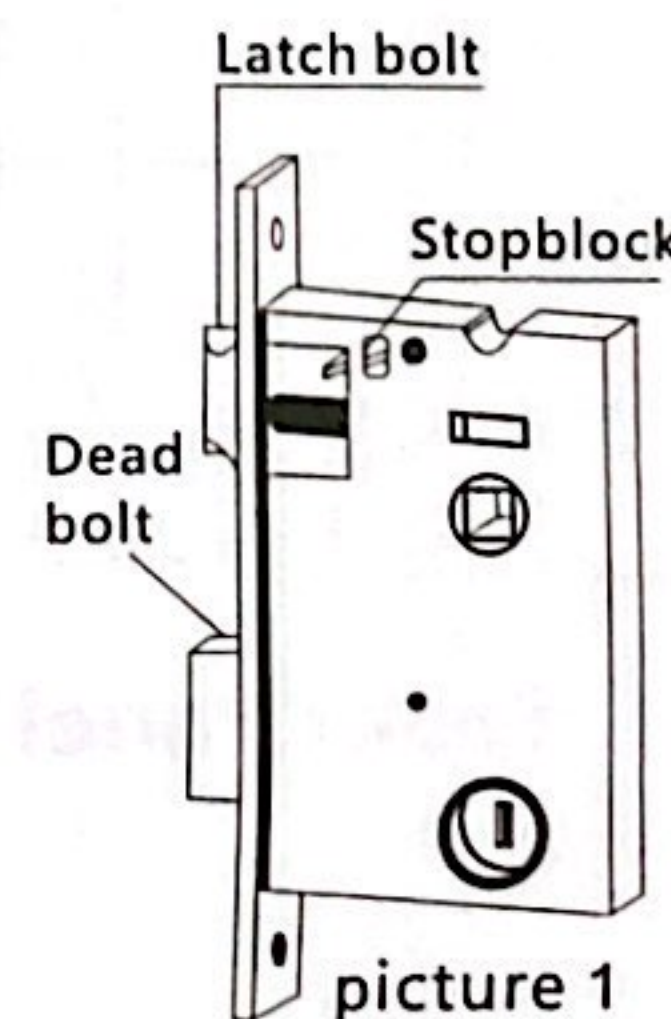
1. Reserve the lock body and latch bolt is down (refer to picture 2)
2. Push the latch bolt lower than front plate, stopblock is down and rotate 180 degrees (refer to picture 2)
3. Push the latch bolt into hole (refer to picture 3)



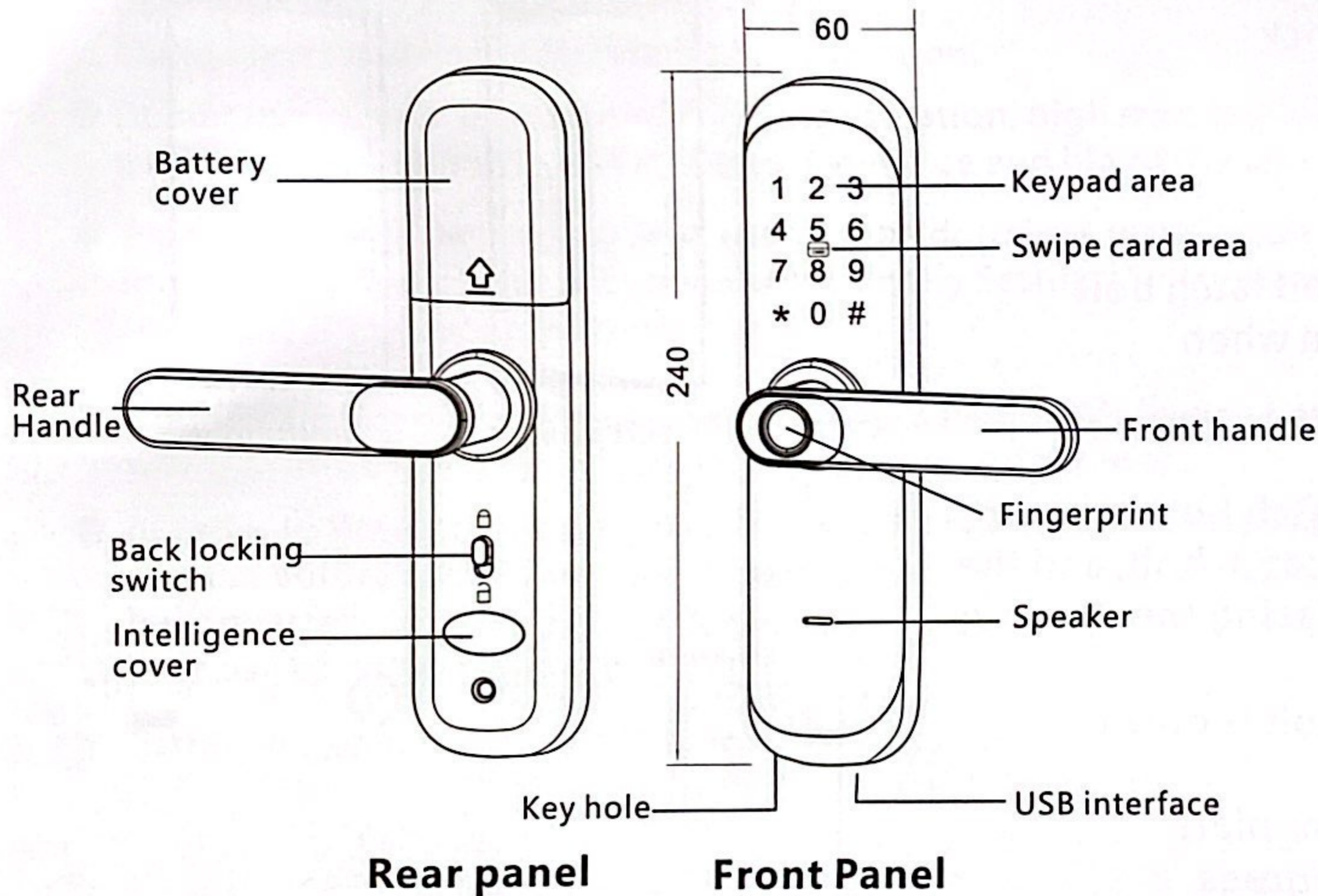
Left open



Right open



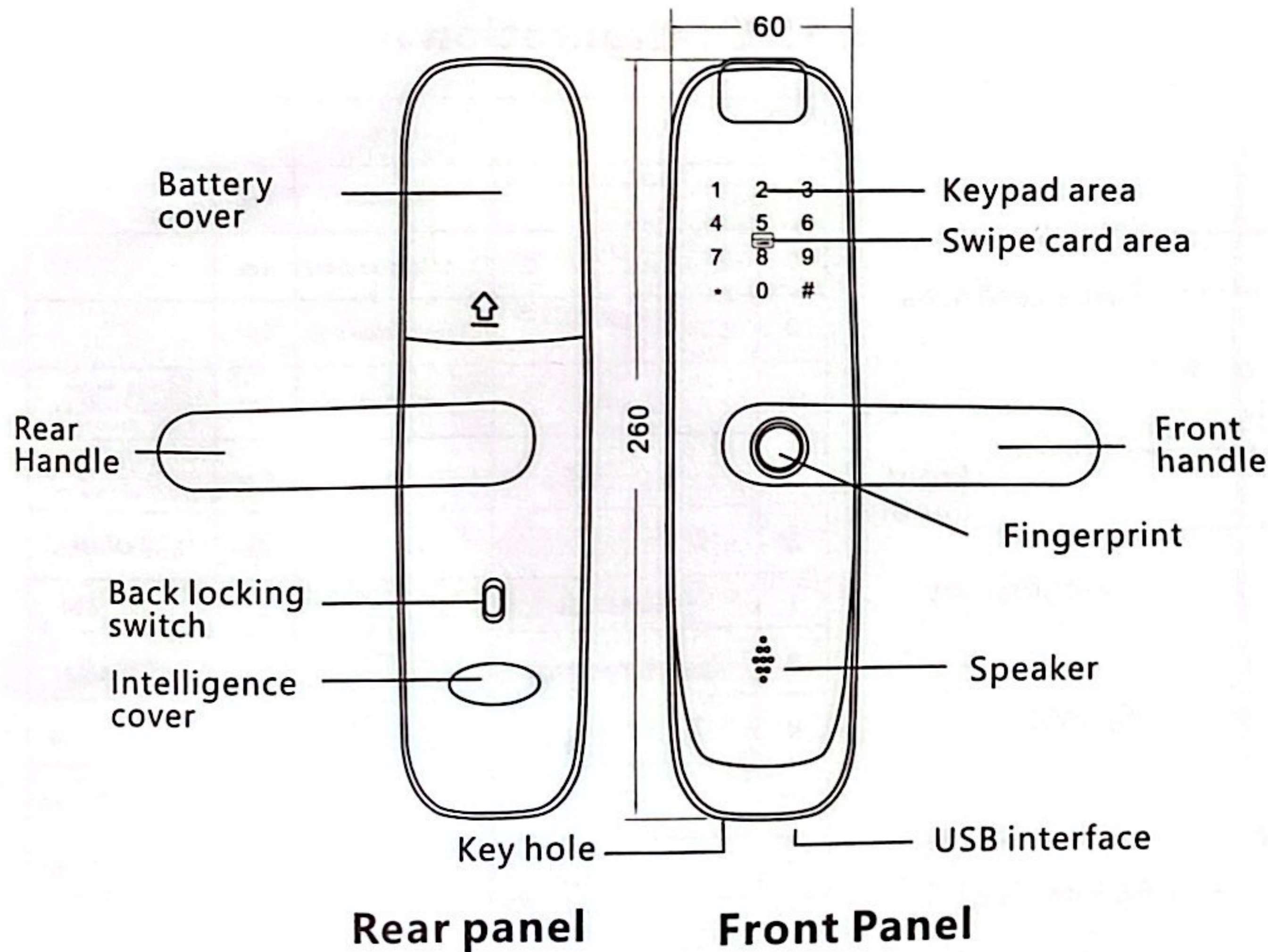
#1 Appearance & Dimensions



#1 Configuration list

Item No.	Picture	Accessories	Quantity	Remark
1		Mortise	1pc	50×50MM (22×160MM)
2		Door buckle plate	1pc	
3		Door buckle box	1pc	
4		IC card	2pc	If lost, please cancel from on the smart lock
5		Key	2pc	Please store separately, do not put in the indoor.
6		Square rod	1pc	8×8×80MM
7		Cross round-head screw	1pc	4×30MM
8		Cross round-head screw	2pc	4×45MM
9		Installation stud	1pc	4×5×30MM
10		Installation stud	2pc	4×5×35MM

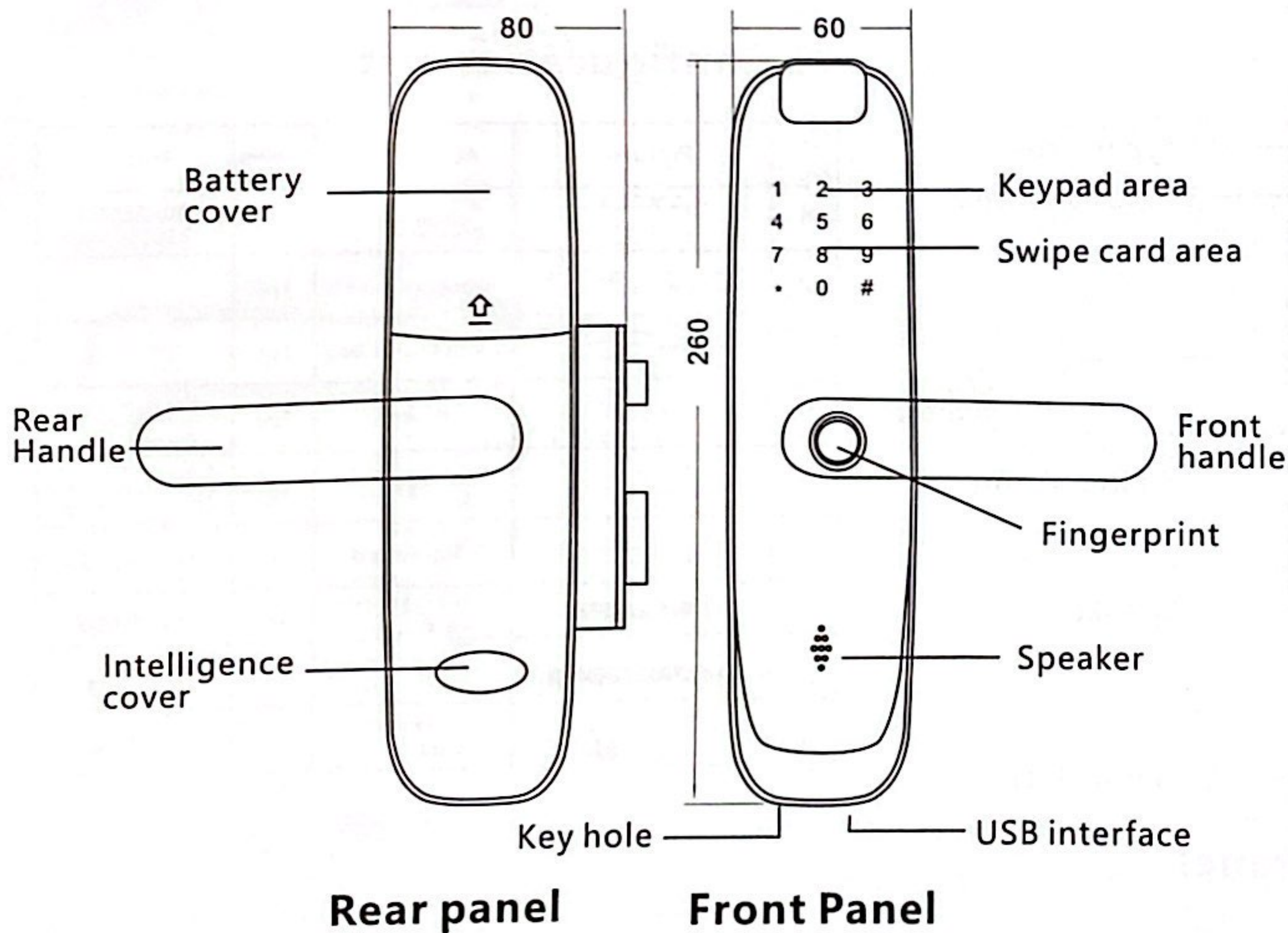
#2 Appearance & Dimensions



#2 Configuration list

Item No.	Picture	Accessories	Quantity	Remark
1		Mortise	1pc	50×50MM (22×160MM)
2		Door buckle plate	1pc	
3		Door buckle box	1pc	
4		IC card	2pc	If lost, please cancel from on the smart lock
5		Key	2pc	Please store separately, do not put in the indoor.
6		Square rod	1pc	8×8×80MM
7		Cross round-head screw	4pc	4×20MM
8		Cross round-head screw	2pc	4×32MM
9		Installation stud	2pc	4×5×35MM

#3 Appearance & Dimensions

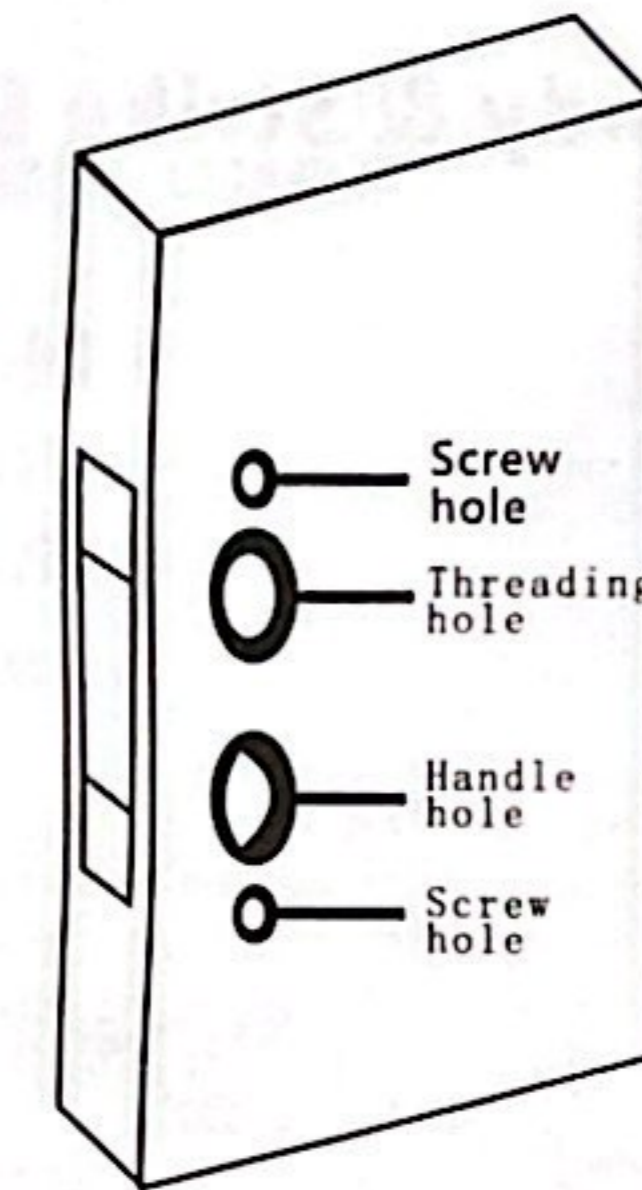


#3 Configuration list

Item No.	Picture	Accessories	Quantity	Remark
1		Mortise	1pc	50×50MM (22×160MM)
2		Door buckle plate	1pc	
3		Door buckle box	1pc	
4		IC card	2pc	If lost, please cancel from on the smart lock
5		Key	2pc	Please store separately, do not put in the indoor.
6		Square rod	1pc	8×8×90MM
7		Cross round-head screw	4pc	4×25MM
8		Cross round-head screw	2pc	4×32MM
9		Installation stud	2pc	4×5×30MM
10		Installation stud	2pc	4×5×35MM
11		Installation stud	2pc	4×5×50MM

Cutting template

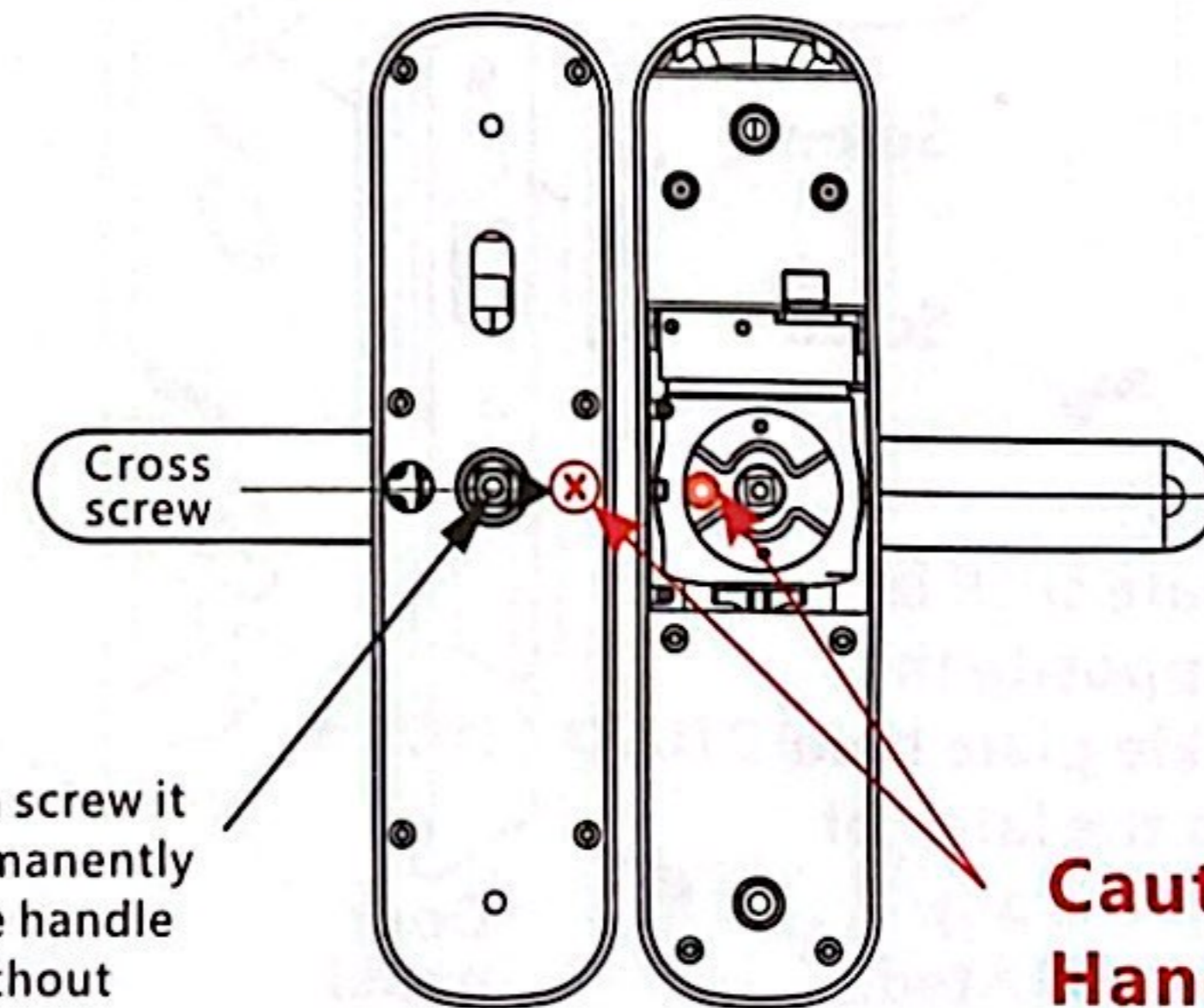
1. Please refer template carefully to drill hole
2. If there is a deviation in the hole, the lock body and panel assembly are put into the door and the hole is corrected until appropriate.



Handle Reversing Method

1. Remove the cross screw as the drawing and turn the handle up 180 degrees in the direction of the arrow
2. After adjusting the direction of the handle, then install the cross screw to the original position and tighten it to complete the reversing.

Handle reversing method as below drawing

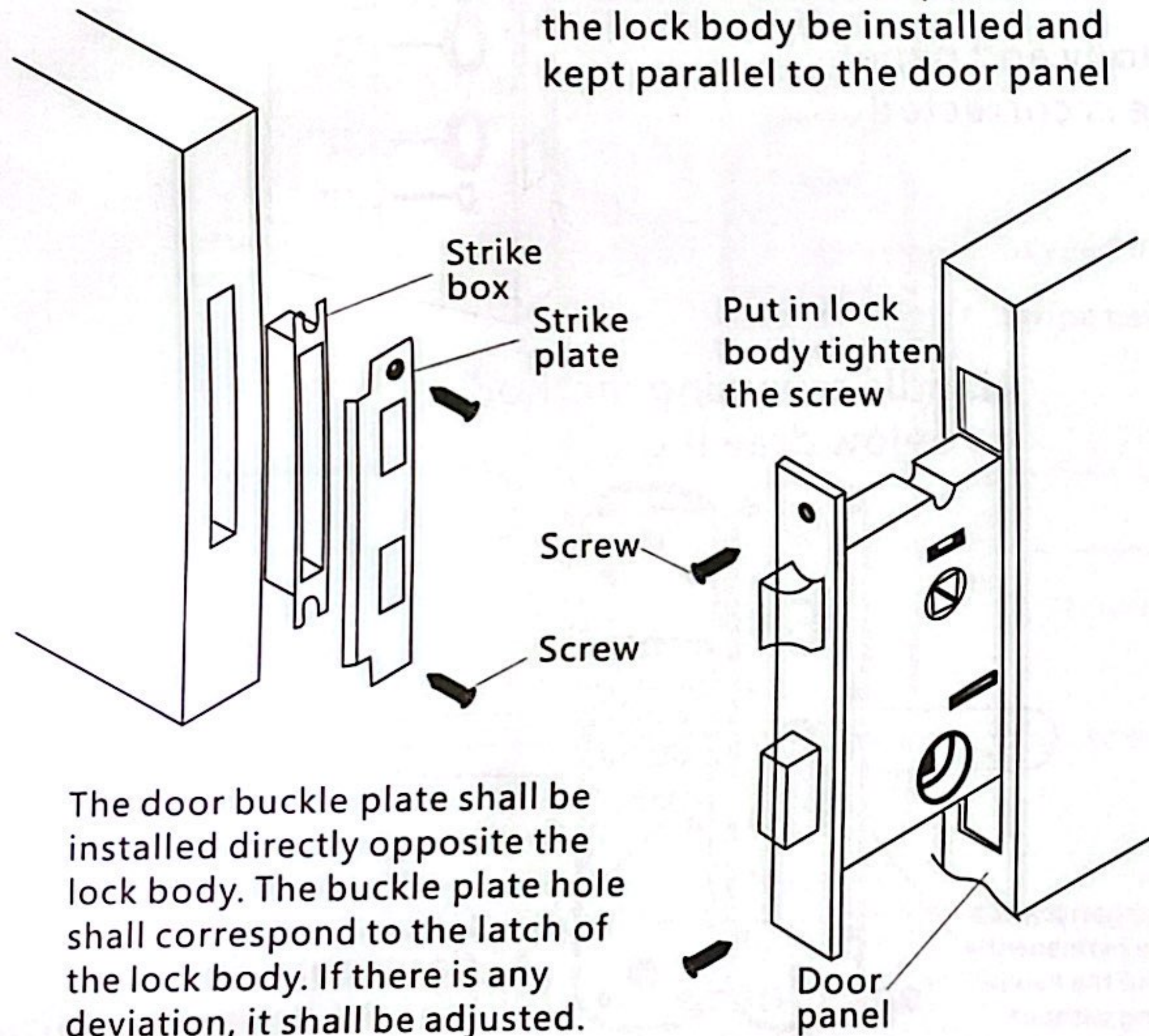


Caution:
The hexagon screw it must be permanently fixed and the handle reversing without disassembling.

Caution:
Handle reverse screws

Install lock body & Strike Box

Mounting the lock body to the door with screws requires that the lock body be installed and kept parallel to the door panel

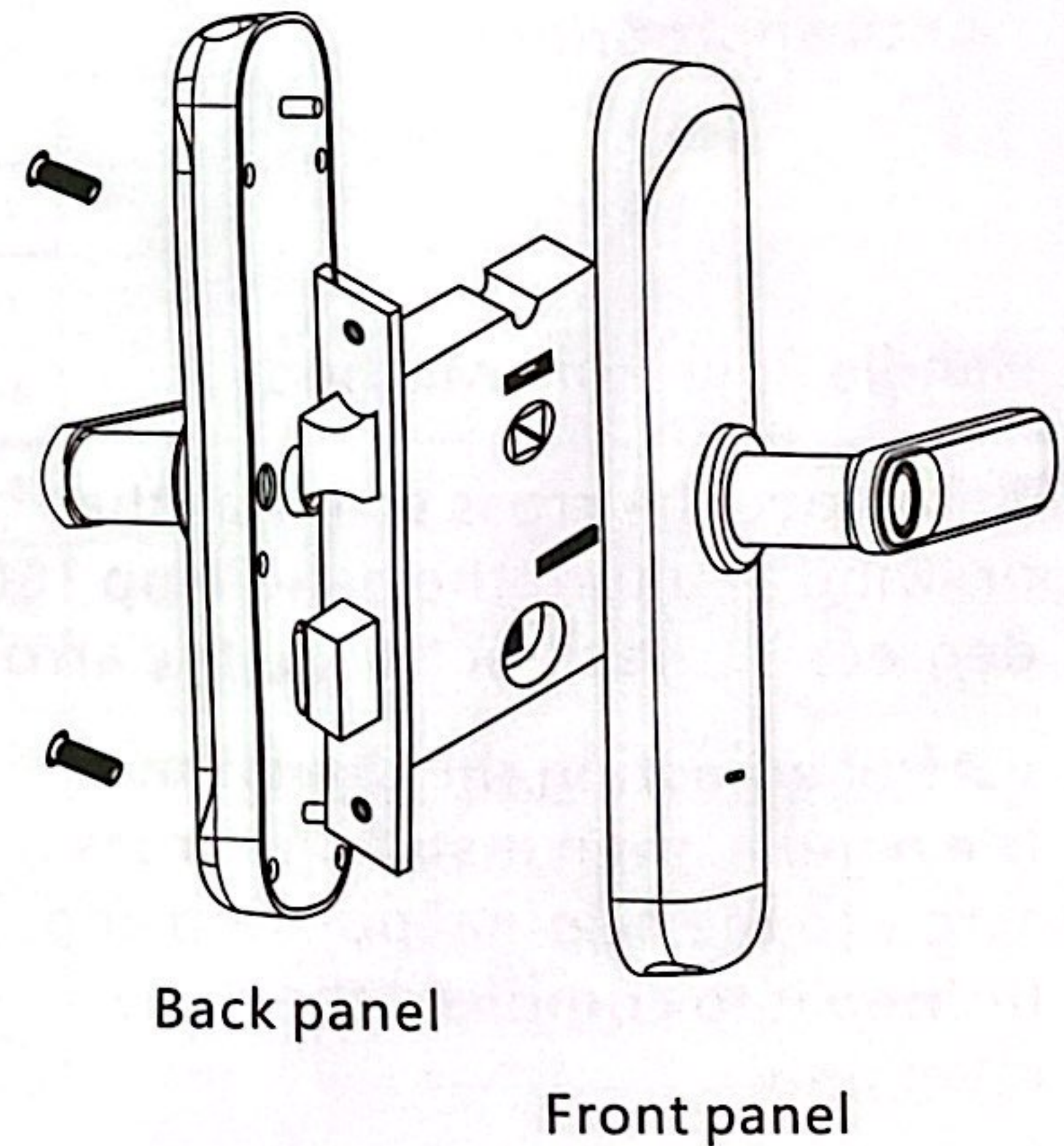


The door buckle plate shall be installed directly opposite the lock body. The buckle plate hole shall correspond to the latch of the lock body. If there is any deviation, it shall be adjusted.

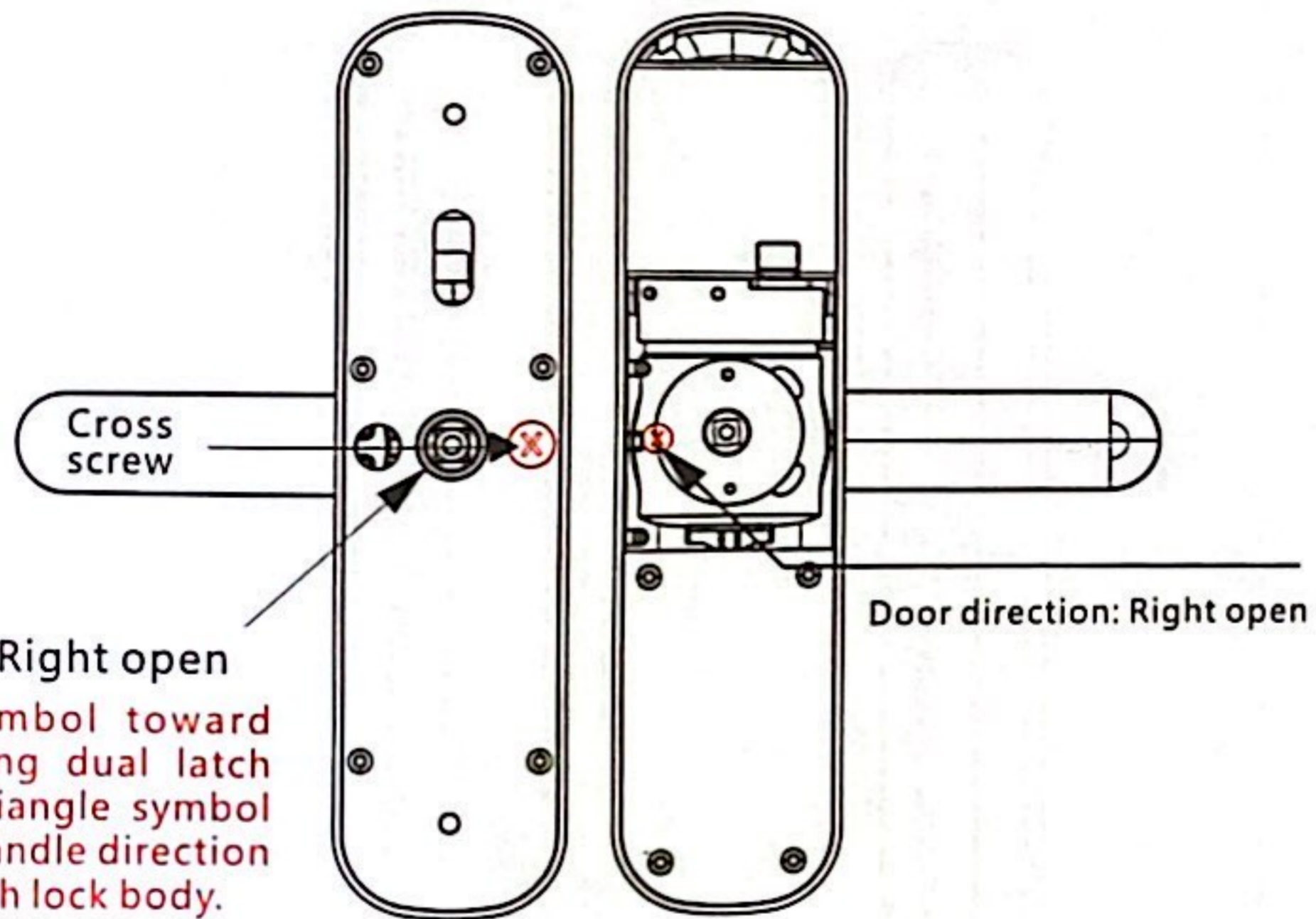
#1

Install lock

Front panel and back panel docking power cord



Door direction: Right open

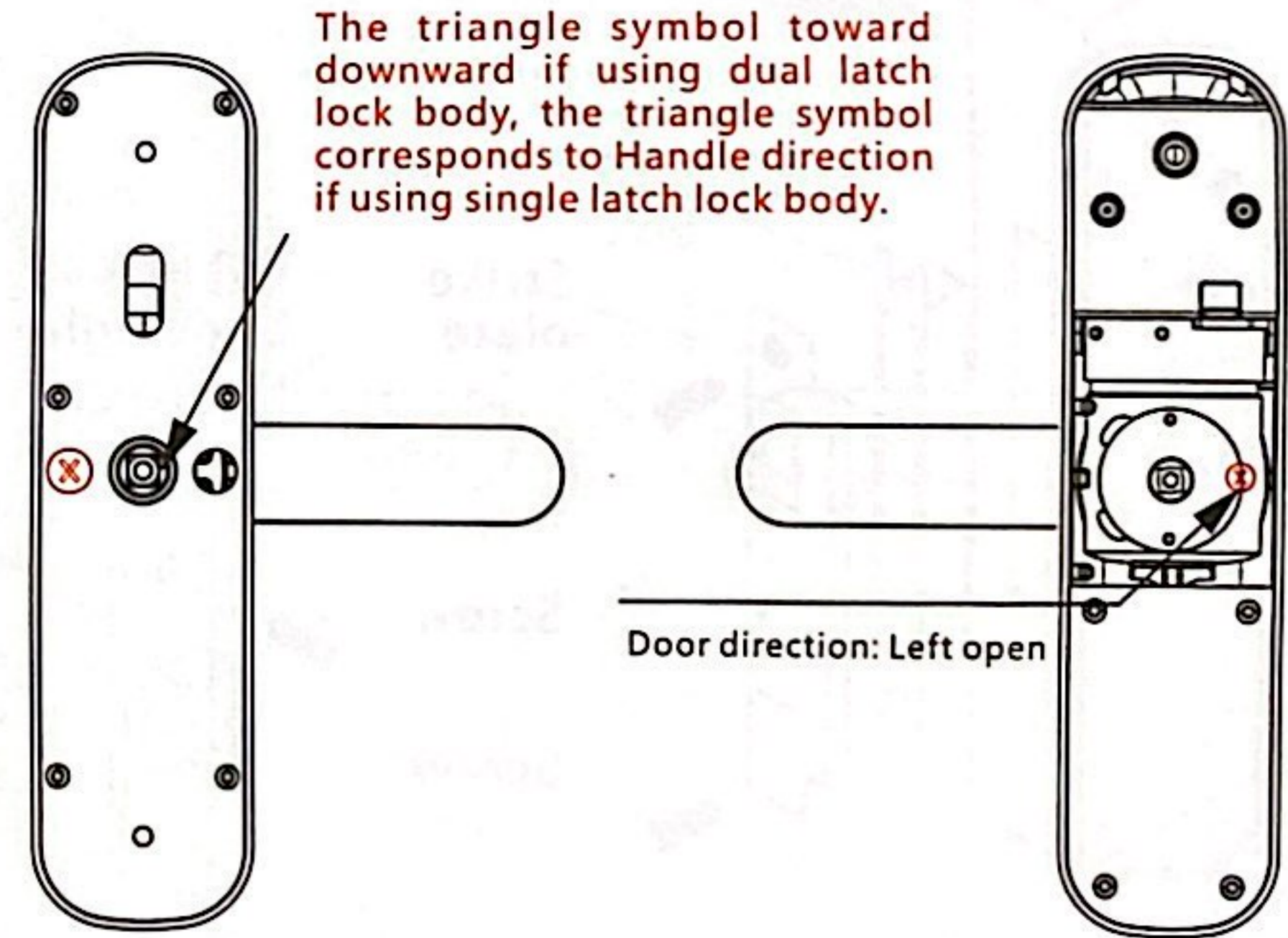


Door direction: Right open
 The triangle symbol toward downward if using dual latch lock body, the triangle symbol corresponds to Handle direction if using single latch lock body.

Front panel Back panel

Door direction: Left open

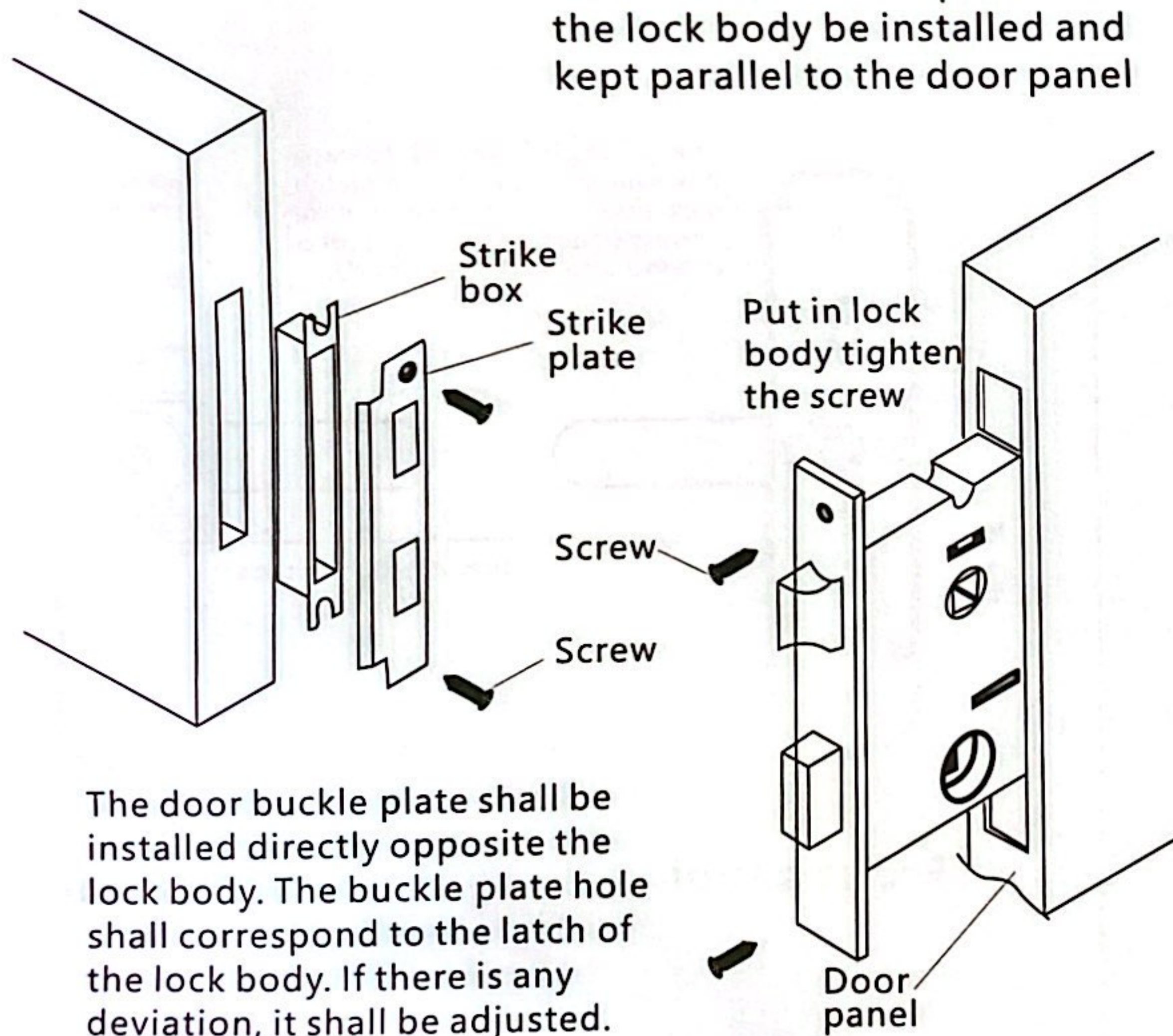
#1



Front panel Back panel

Install lock body & Strike Box

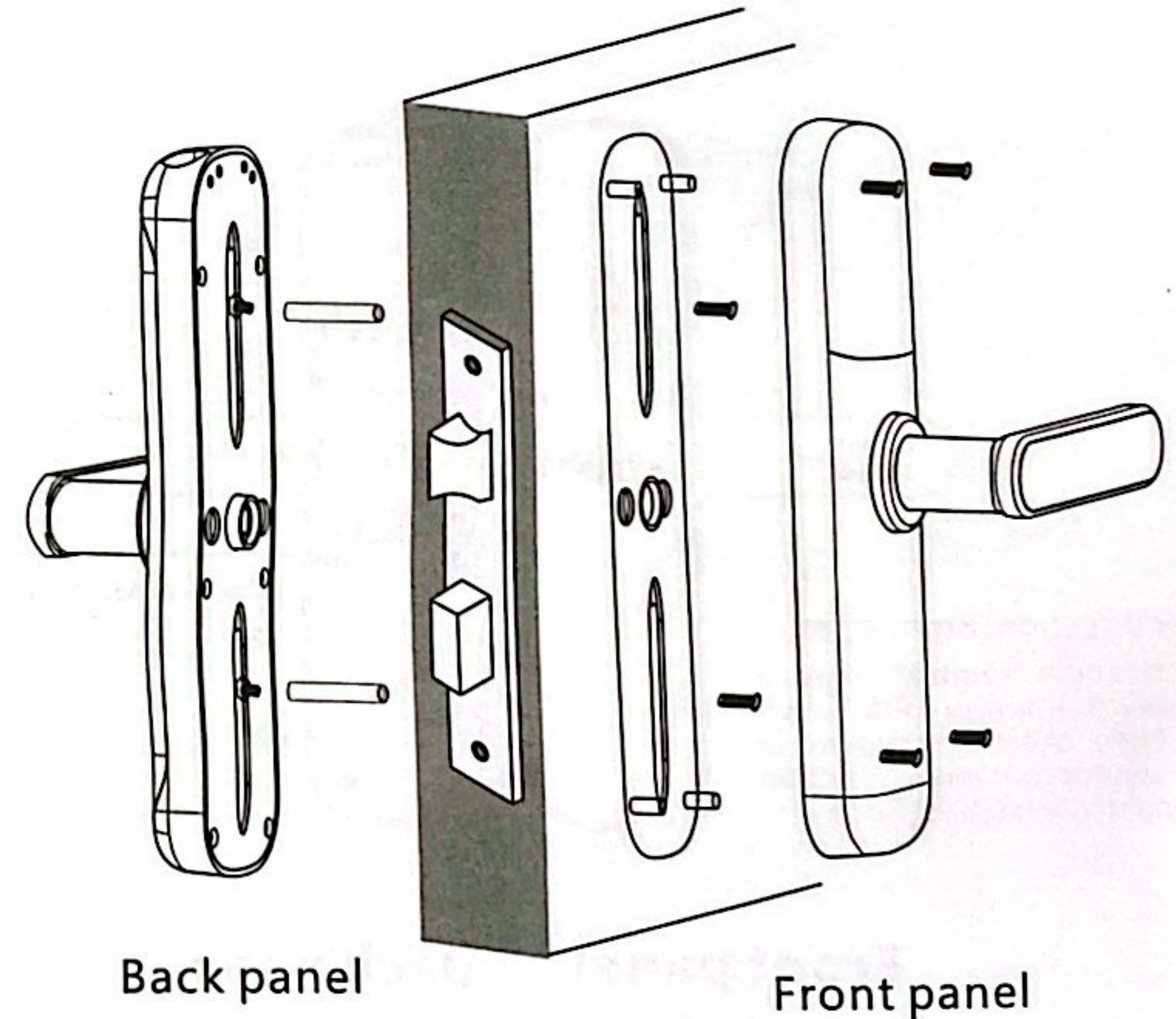
Mounting the lock body to the door with screws requires that the lock body be installed and kept parallel to the door panel



Install lock

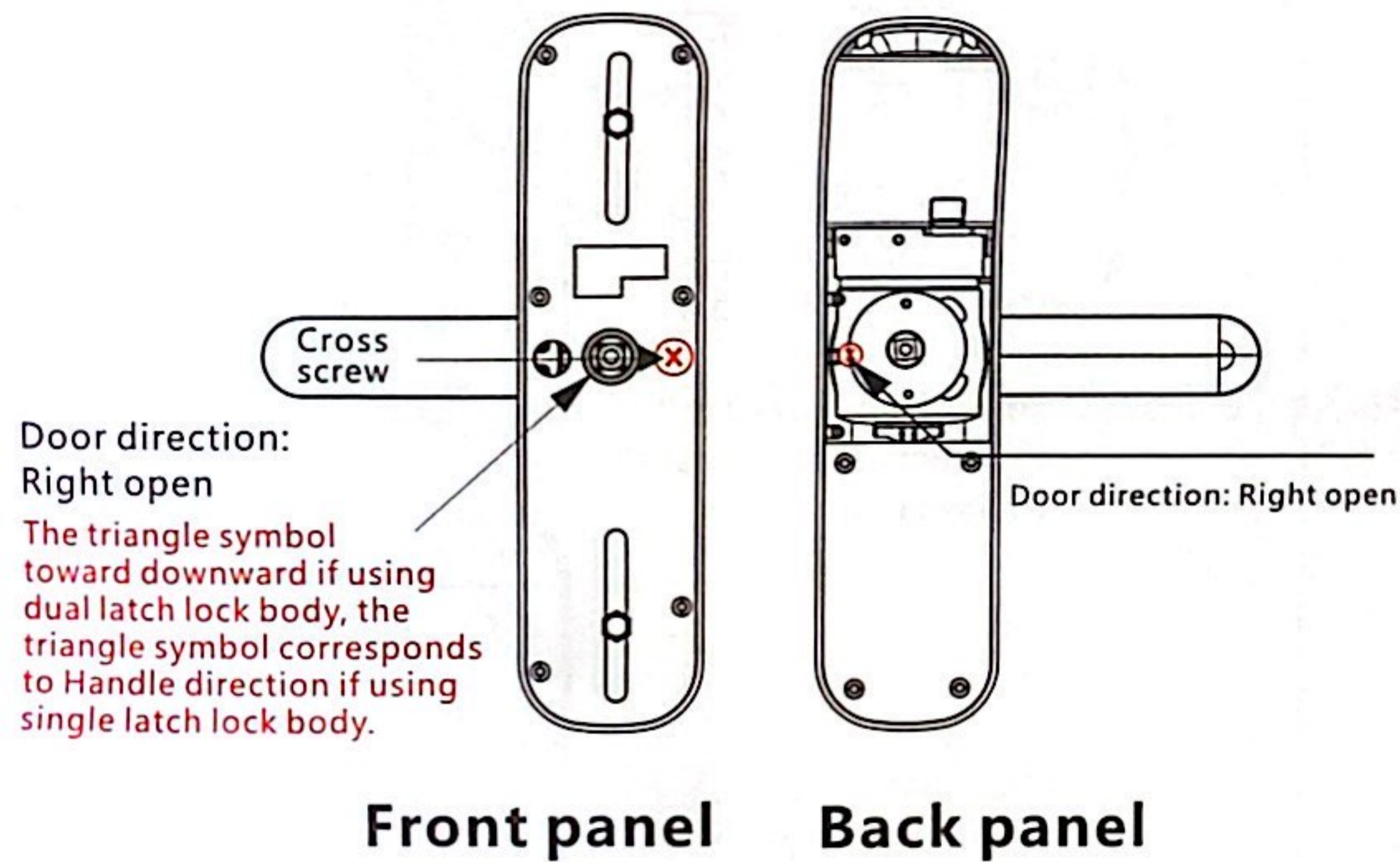
Front panel and back panel docking power cord

#2

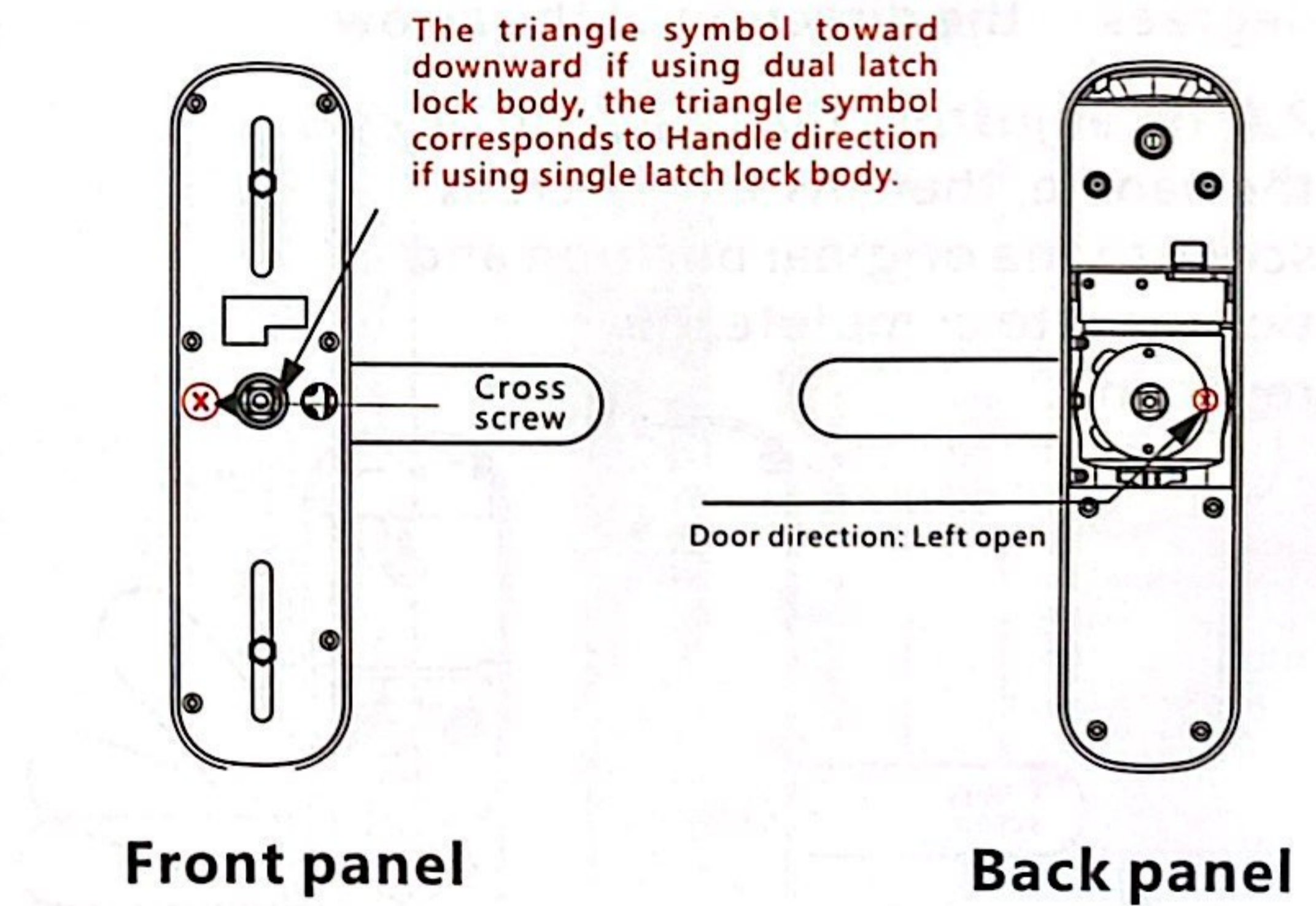


#2

Door direction: Right open



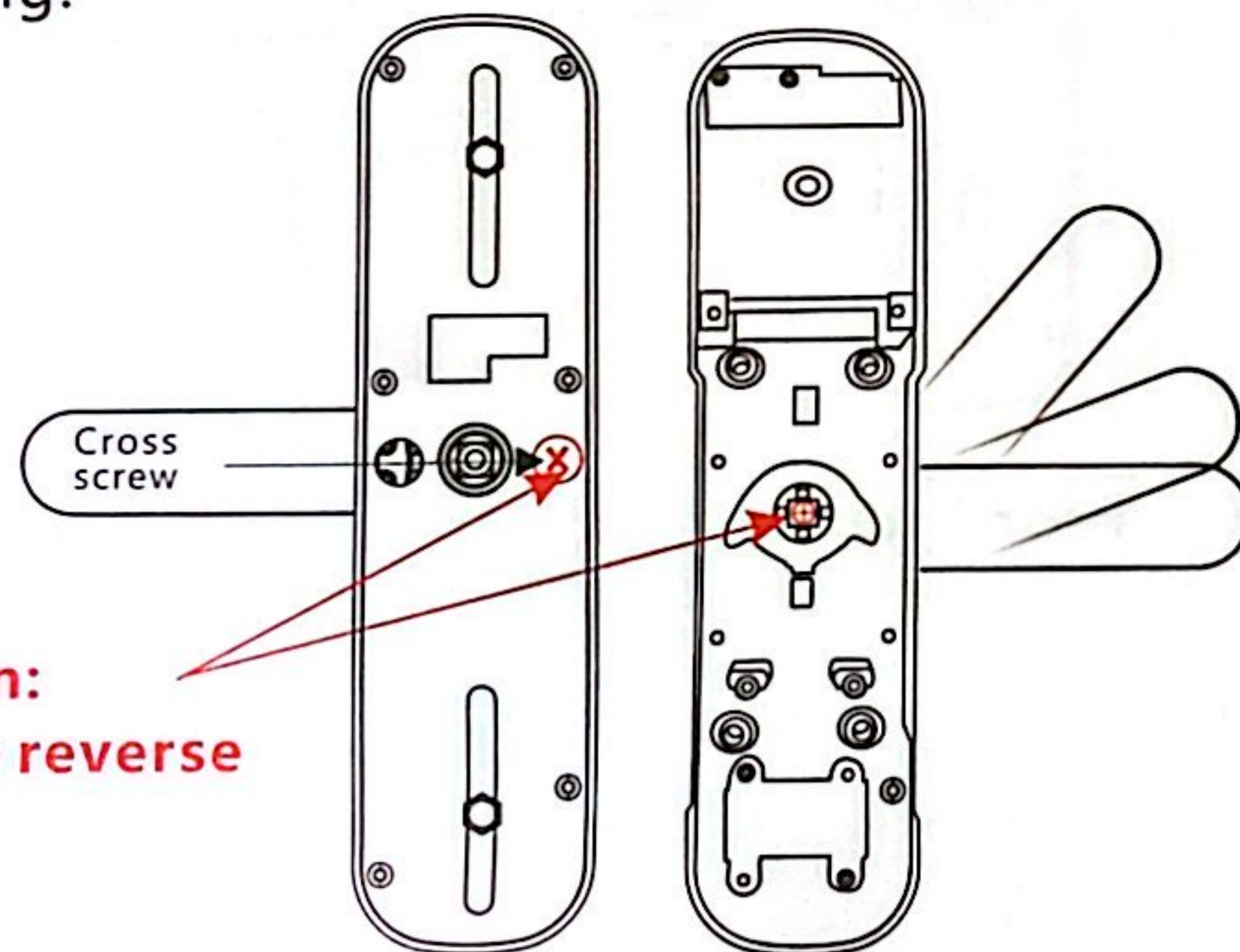
Door direction: Left open



#3 Handle reverse drawing

Handle Reversing Method

1. Remove the cross screw as the drawing and turn the handle up 180 degrees in the direction of the arrow
2. After adjusting the direction of the handle, then install the cross screw to the original position and tighten it to complete the reversing.

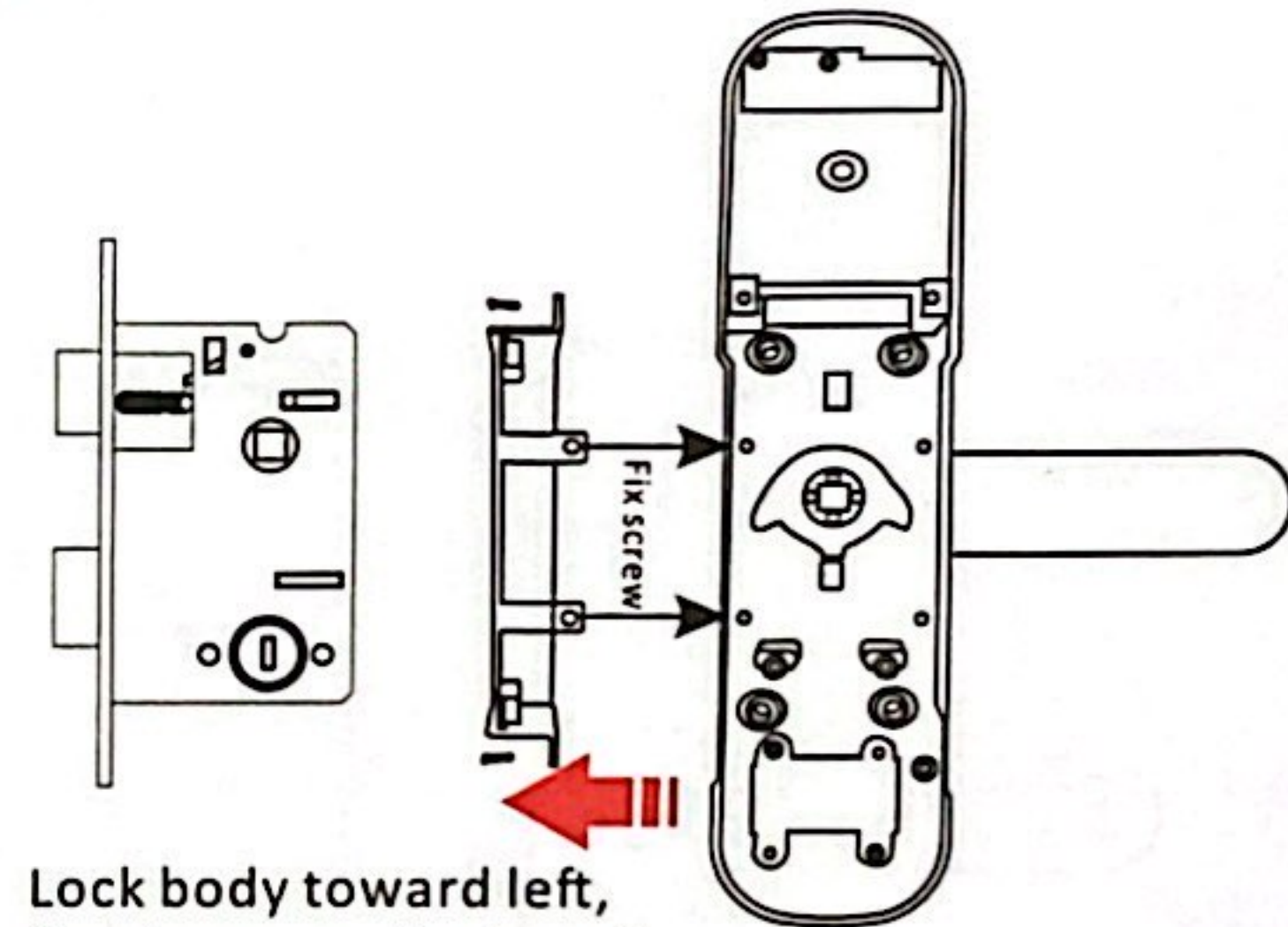


Caution:
Handle reverse
screws

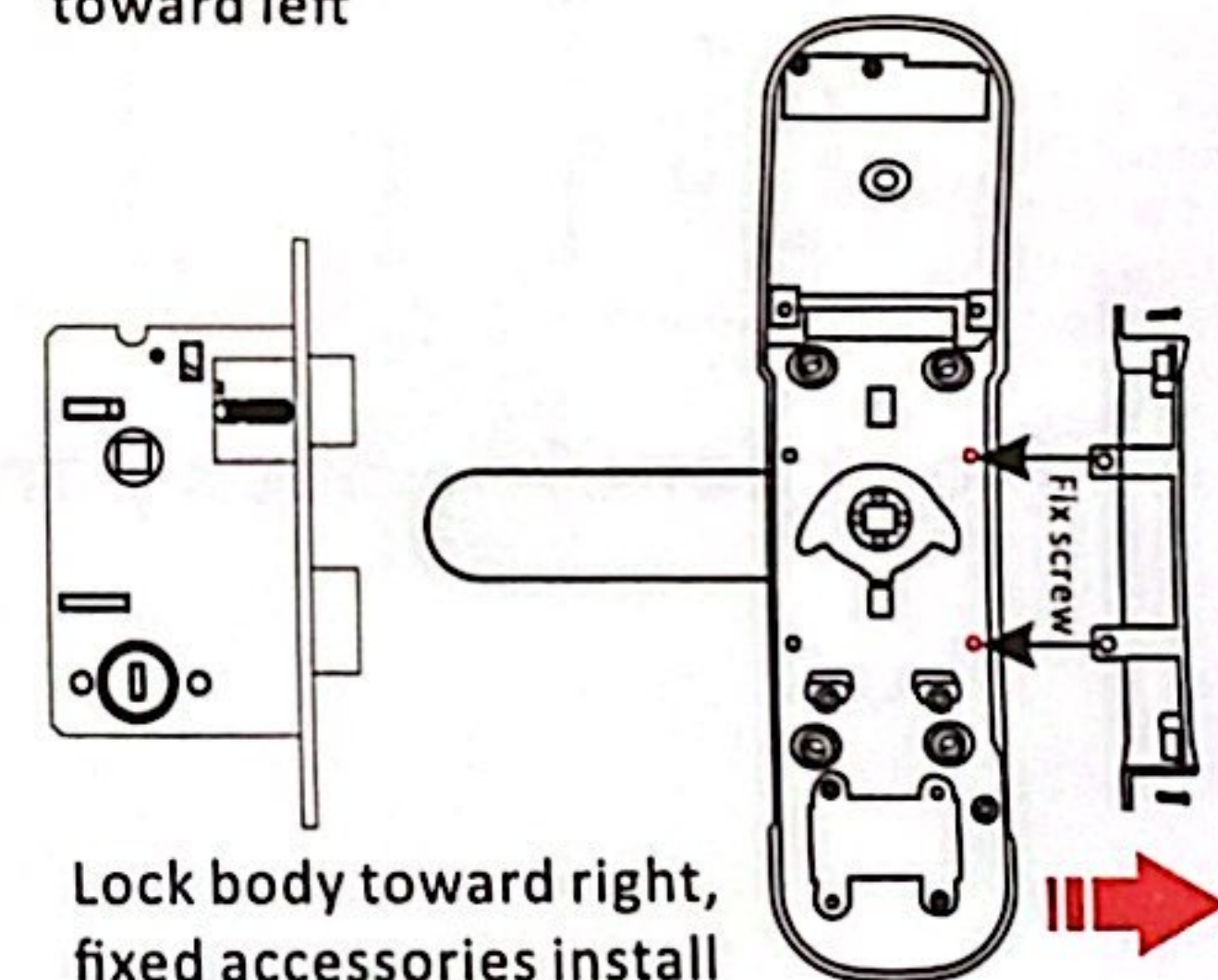
#3 Installation diagram

#3

1. Make sure the open direction to choose the metal accessories direction.



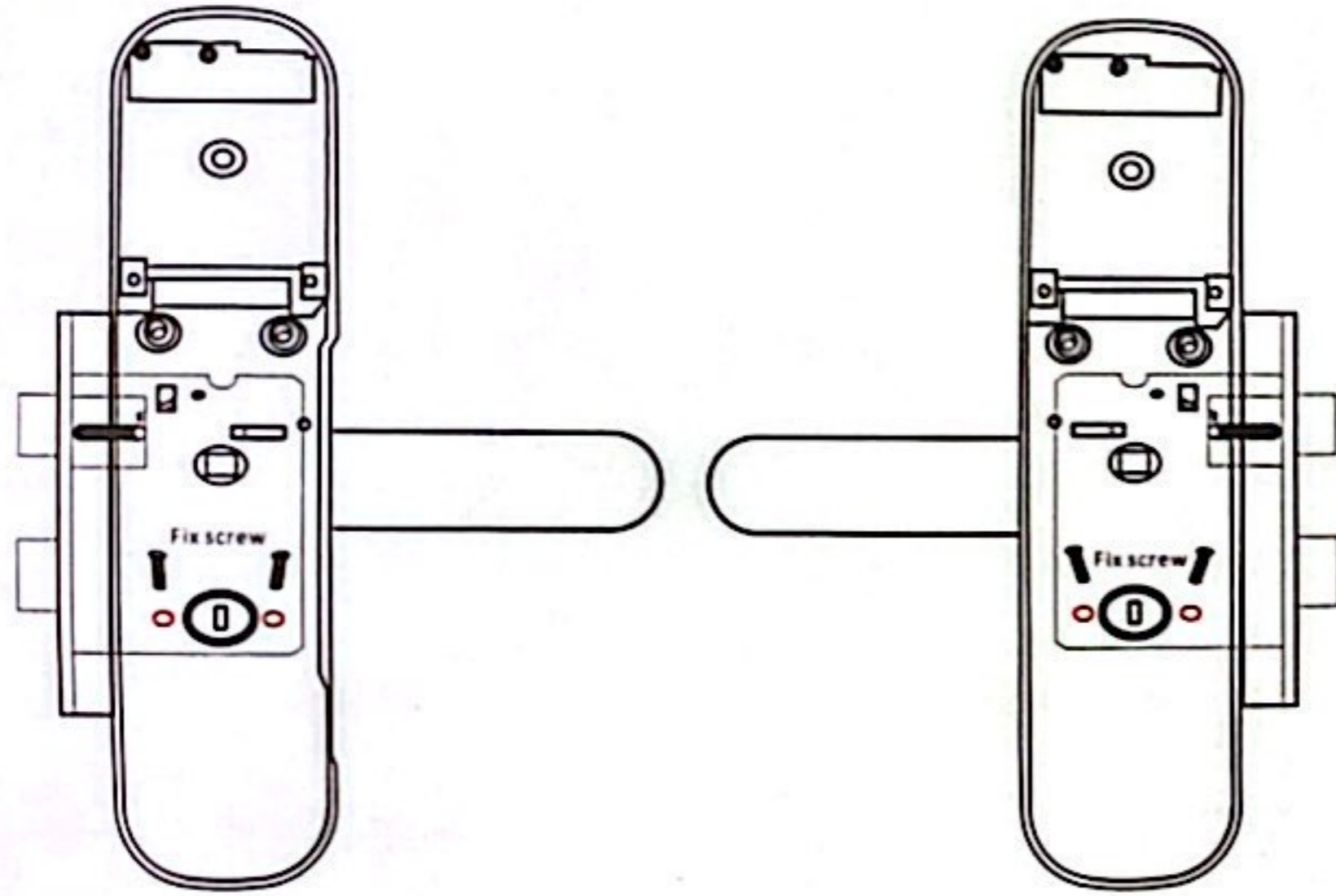
Lock body toward left,
fixed accessories install
toward left



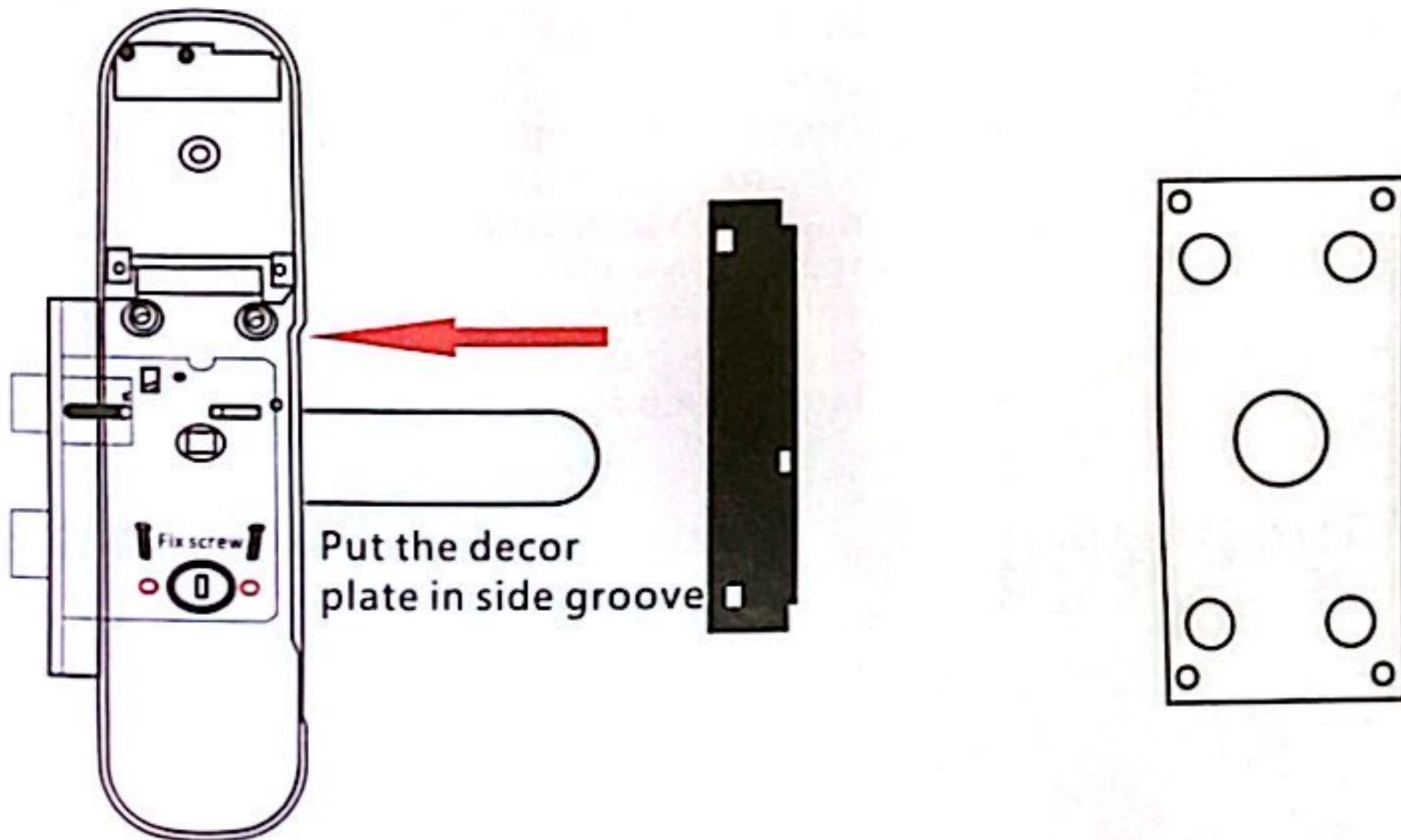
Lock body toward right,
fixed accessories install
toward right

#3

2、 Fix the lock body

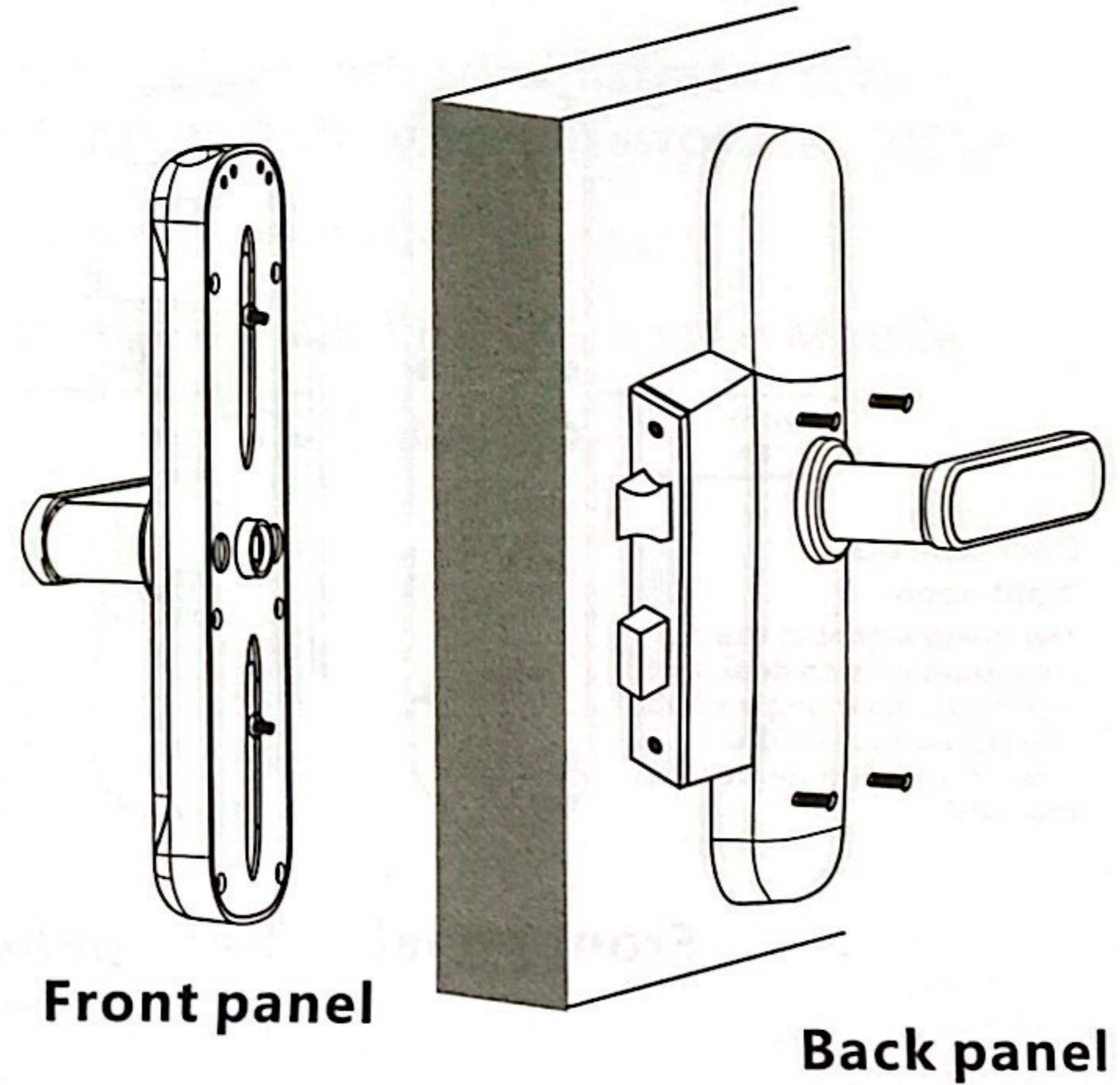


3、 Fix the decor plate 4、 Fix the metal plate



Installation diagram

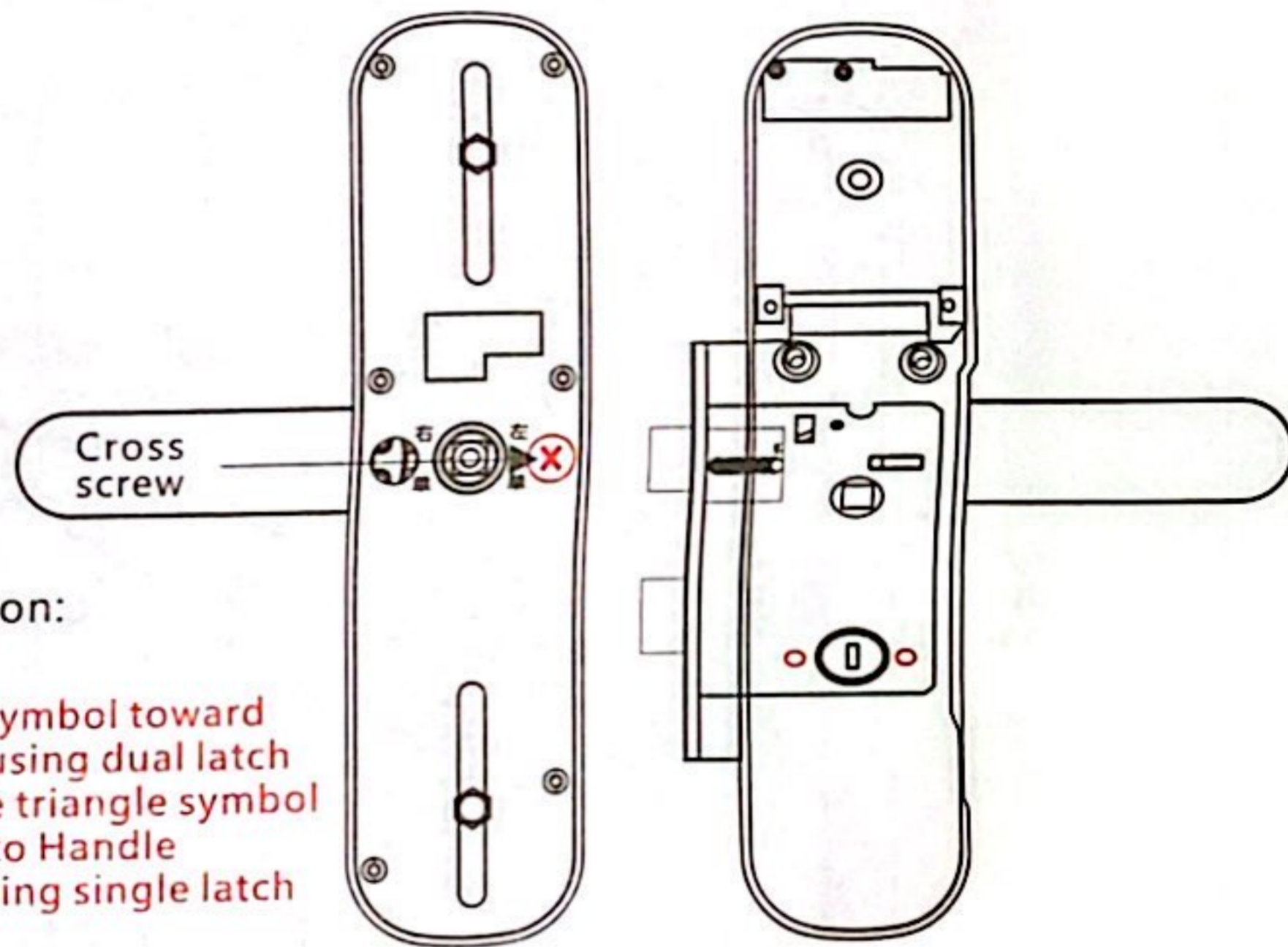
Connection cable connect with front panel & rear panel.



Door direction: Right open

Door direction:
Right open

The triangle symbol toward downward if using dual latch lock body, the triangle symbol corresponds to Handle direction if using single latch lock body.



Front panel

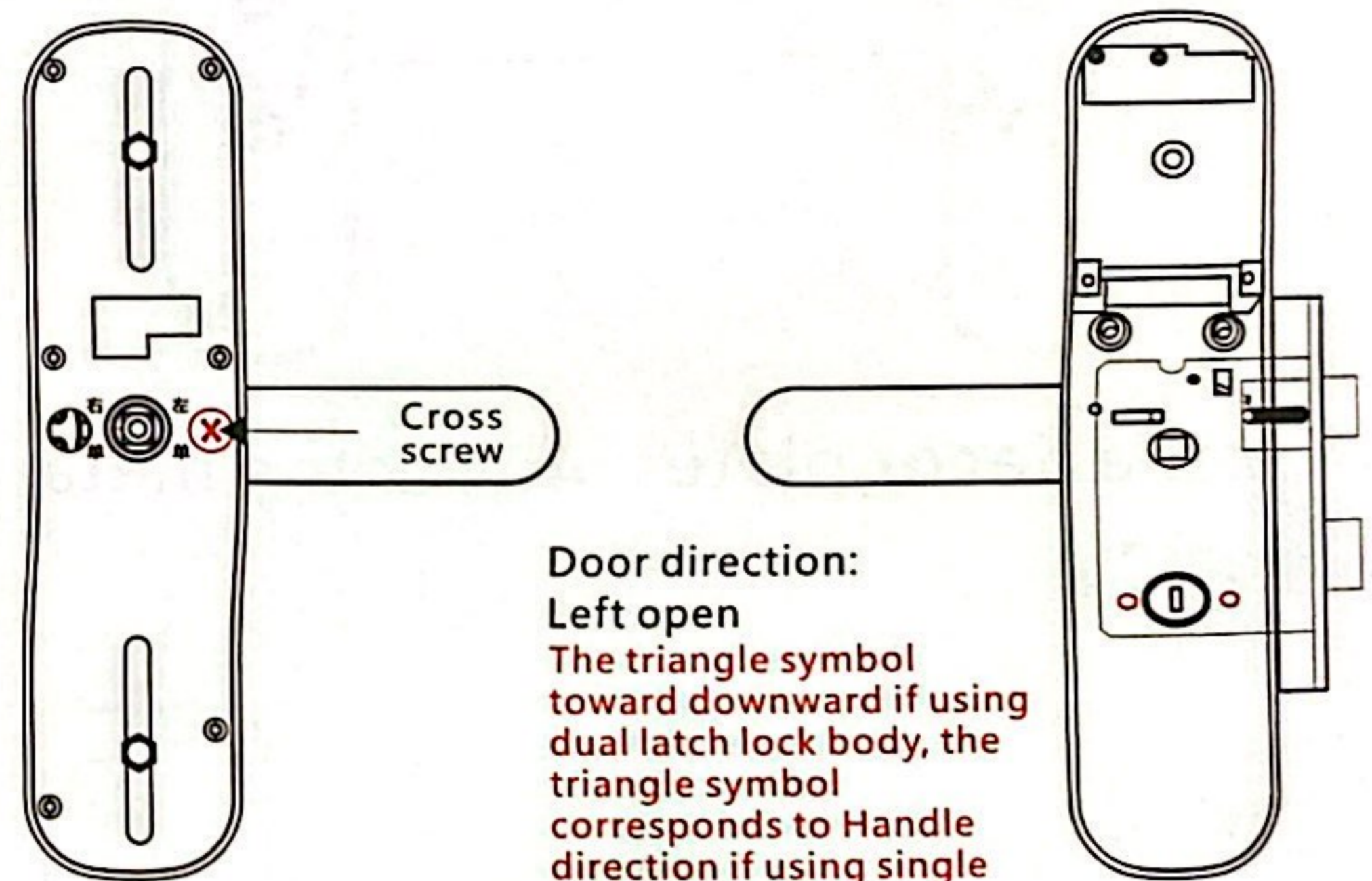
Back panel

Door direction: Left open

#3

Door direction:
Left open

The triangle symbol toward downward if using dual latch lock body, the triangle symbol corresponds to Handle direction if using single latch lock body.



Front panel

Back panel

(TT LOCK)

Function setting button

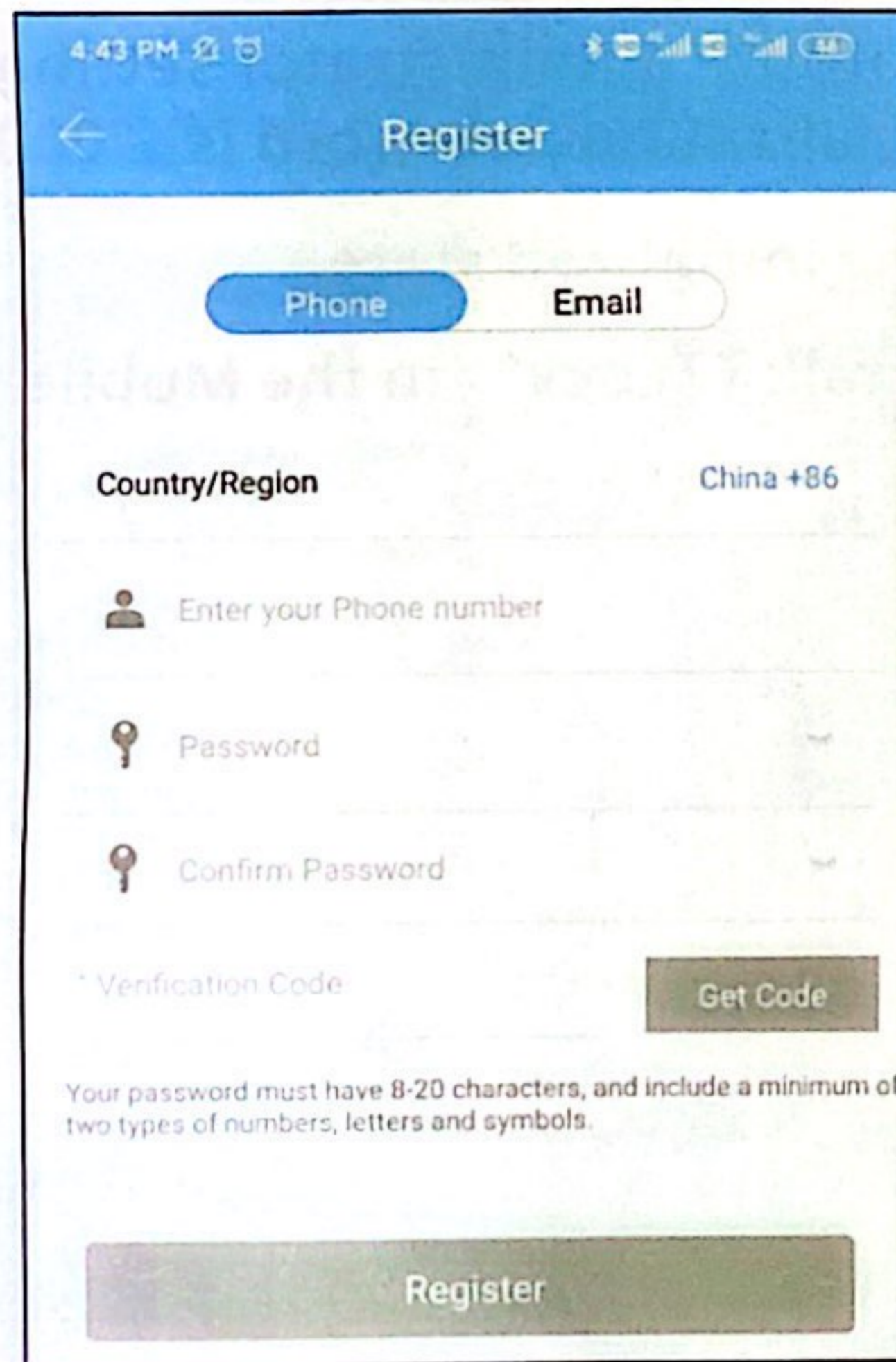
In the initialization state, tap the digital keypad to add the Bluetooth administrator settings; long press around 3 seconds to restore the Factory settings(Initialization password is "000#").

Remark: Adding Bluetooth Administrator can only be done in the initialized state.

1.Adding Bluetooth administrator operation: Download and install: TTLock" in the Mobile App store.



2. Entering into App registration and login your mobile phone account, click "+" and select "Door lock" and start your Bluetooth on your phone at the same time, then click "Next" and wake up lock screen at the same time, add the searched device and name the lock.



4:43 PM

Register

Phone Email

Country/Region China +86

Enter your Phone number

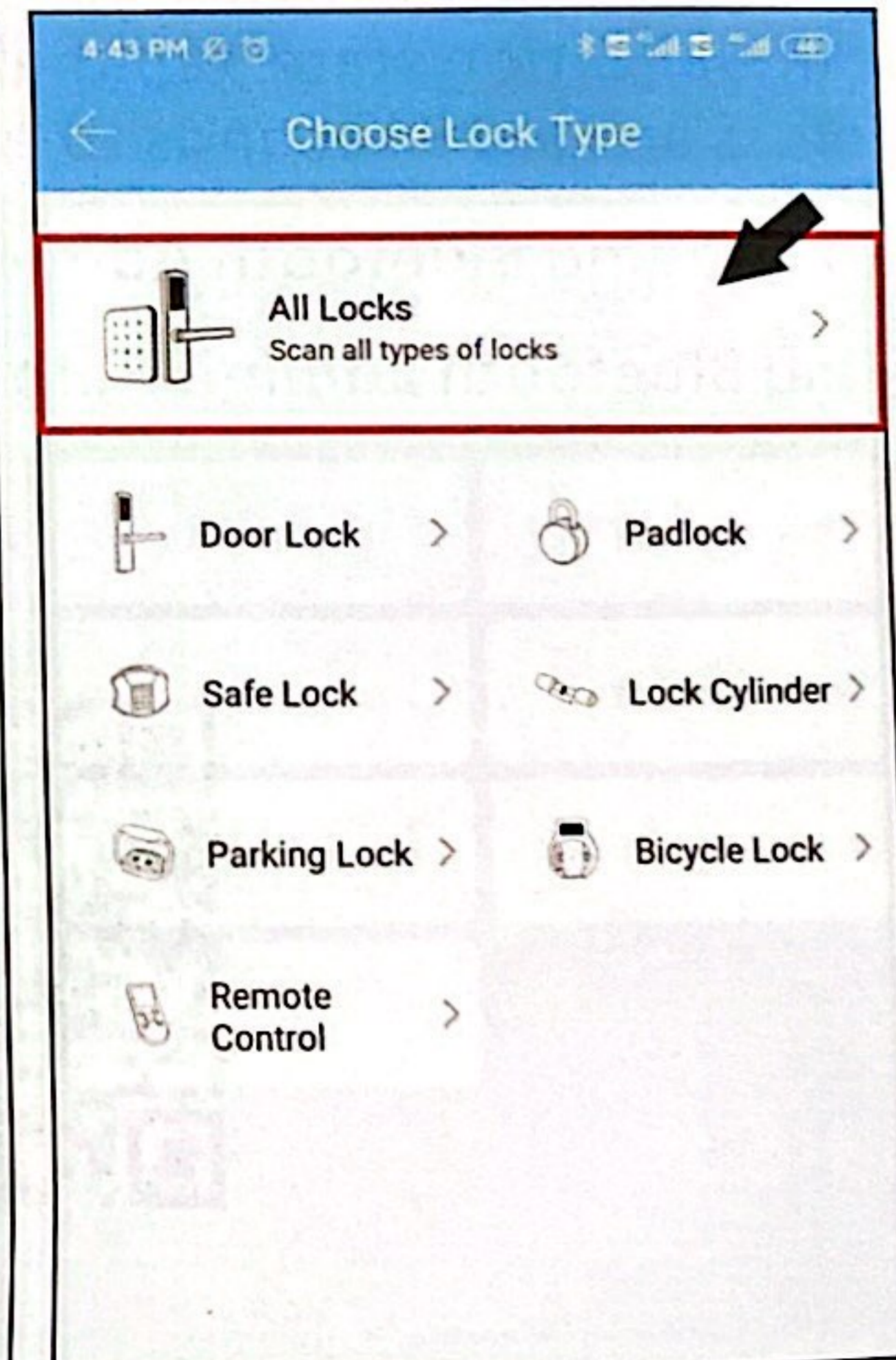
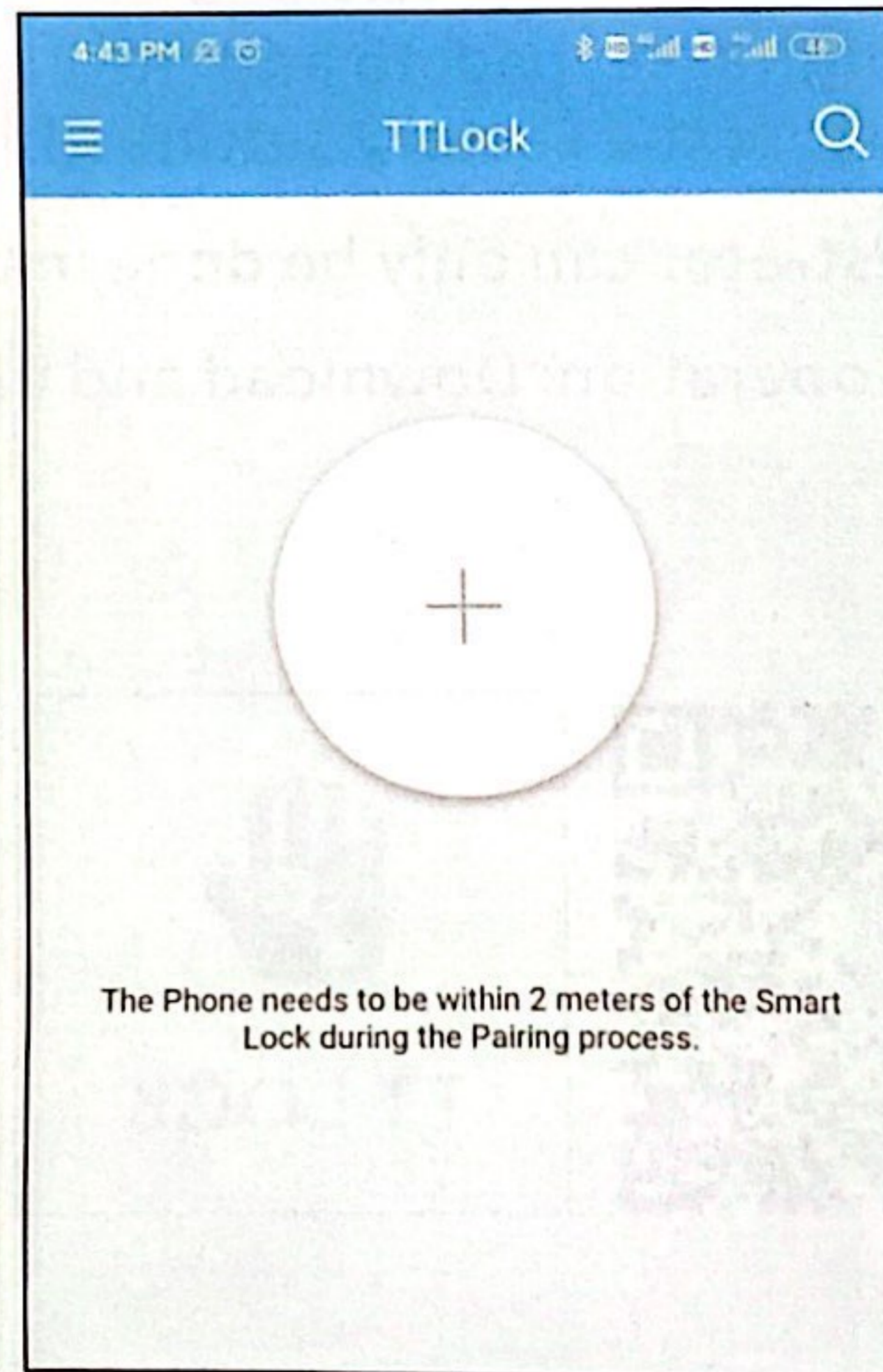
Password

Confirm Password

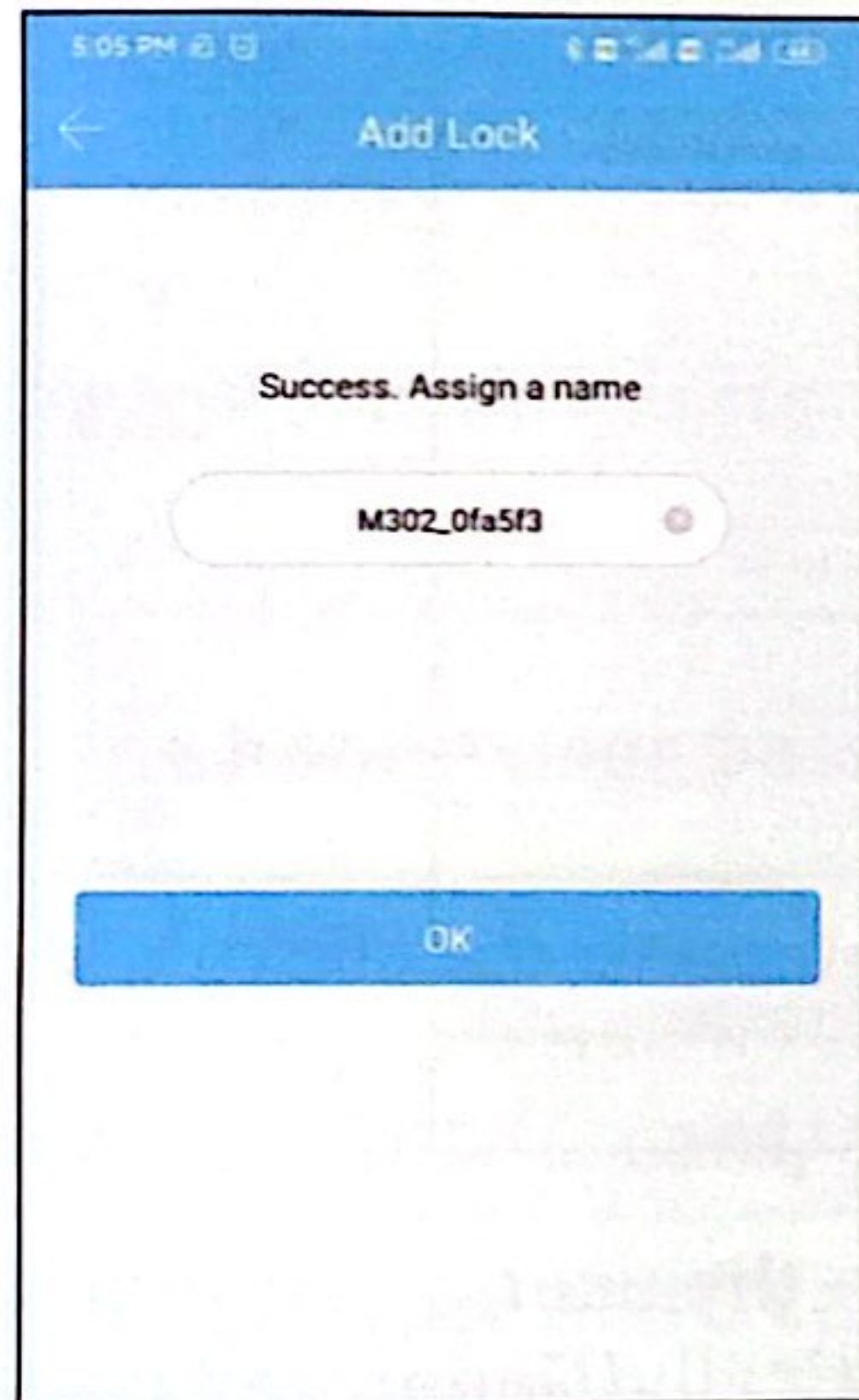
Verification Code [Get Code](#)

Your password must have 8-20 characters, and include a minimum of two types of numbers, letters and symbols.

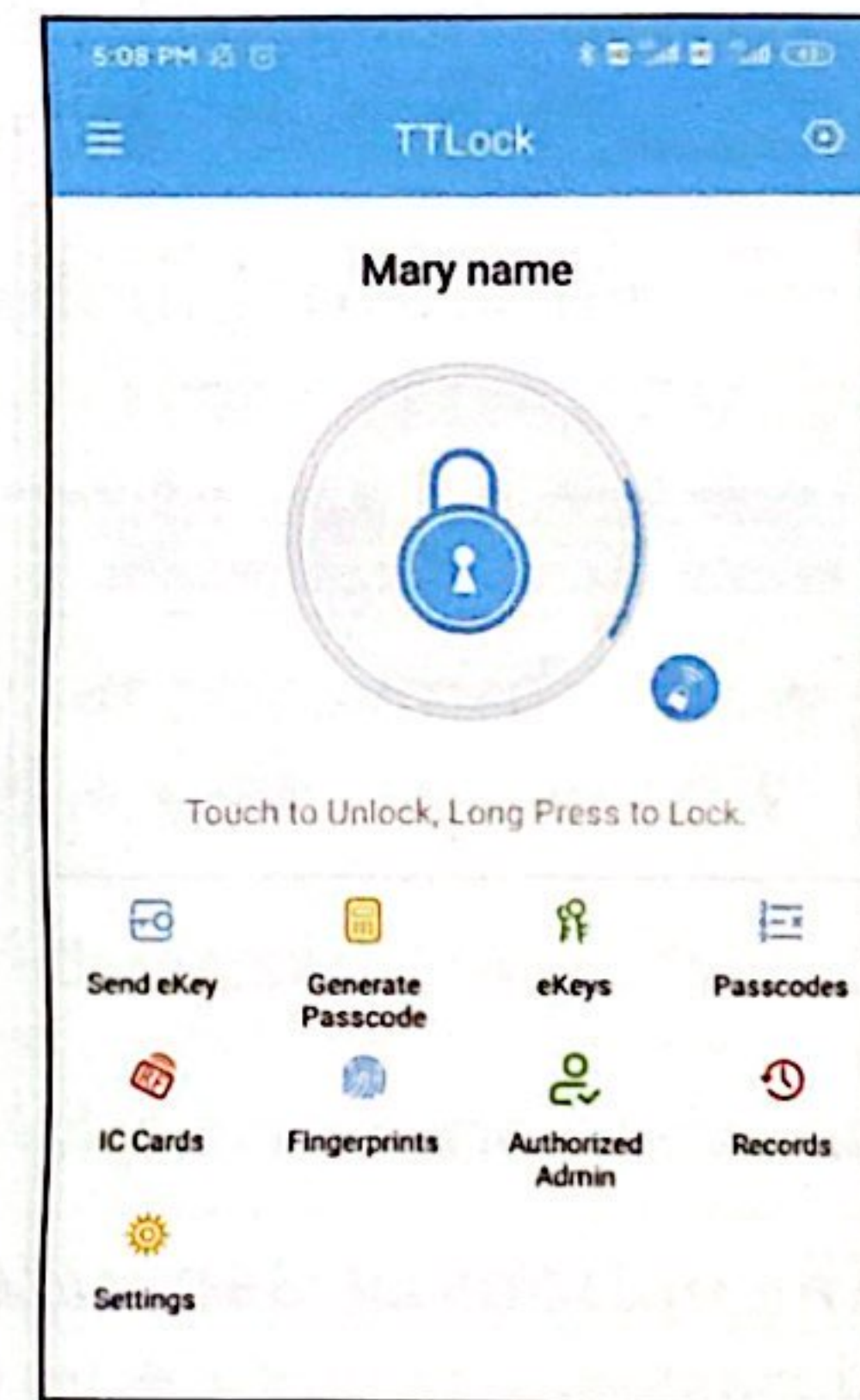
Register



Rename Device



Now enter the interface and tap on the Bluetooth signal to unlock the lock within range of the Bluetooth signal.



Delete all Fingerprint	* 70 # Administrator password #
Delete all Password(Except Administrator password)	* 71 # Administrator password #
Tamper proof alarm	Start: * 32 # Administrator password # 1 # Close: * 32 # Administrator password # 0 # (If without administrator password, using 123456 as the administrator password)
Voice switch	Chinese: * 39 # Administrator password # 1 # English: * 39 # Administrator password # 2 # (If without administrator password, using 123456 as the administrator password)
Demo mode start	When without administrator, input 24679 #
Motor aging tests	When without administrator, input 35896 #
Temporary normally open	After unlocking, input 123 #

Technical Parameters

Power supply: 4.5V-6V(4pcs AAAbatteries)

Quiescent current: <50-65uA

Administrators number: 9

Unlock methods: Fingerprint, IC card, Password,
Key, WeChat Mini program, Tuya smart(Optional)

Working current: > 250uA

Fingerprint: <= 50

Card: <= 100

Password: <= 100

Password length: 6-8 bit

Phantom password: 16 bit

Lower voltage alarm: $4.5 \pm 0.2V$

Working temperature: $-10^{\circ}C \sim 60^{\circ}C$

Working relative humidity: 20% ~ 93%

Warranty Card

The Company provide life-long maintenance for the sale of products , from the date of purchase within one year, the company provides free warranty service;If the following cases are not held for free warranty services:

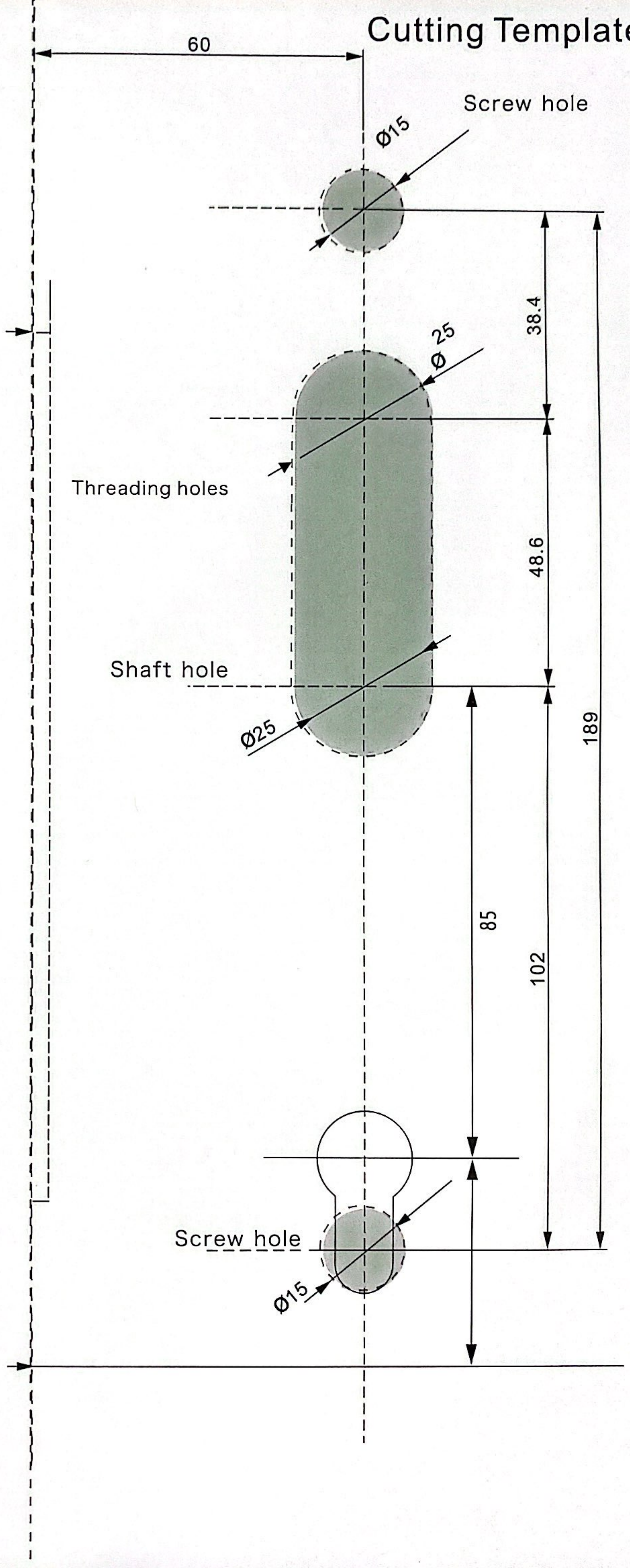
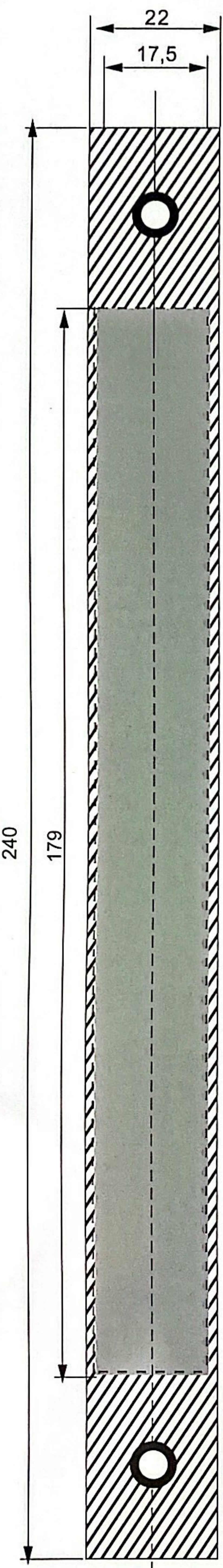
- (1) If there is no product warranty card or valid purchase voucher, the warranty card and purchase certificate do not match the product;
- (2) Damage caused by human factors, including use in an abnormal working environment, damage caused by the use of a non-stated manual, etc.;
- (3) The user's private dismantling, self-repair, modification or maintenance by a non-authorized unit of the Company or other irresistible factors damaged"

User name		Contact Tel	
Address			
Model No		Lock cylinder No	
Serial No			
Purchase date		Install date	
Supplier			
Contact address			
Contact Tel			
Supplier's Official seal			

Note to users:

In order to protect your Legal rights, please keep the service card and the relevant purchase voucher, to protect your Legal rights in warranty services, warranty card once modified will be invalid

Cutting Template



MANUAL TÉCNICO

WOLC

GARANTÍA

1. PROPORCIONAMOS UN AÑO DE GARANTÍA A PARTIR DE LA FECHA DE COMPRA
2. LA CERRADURAS DIGITAL WOLC NO DEBE PRESENTAR NINGÚN TIPO DE SEÑALES DE INTERVENCIÓN POR TERCEROS DIFERENTE A NUESTRO SERVICIO TÉCNICO
3. NUESTRA LÍNEA AUTORIZADA DE SERVICIO TÉCNICO WOLC ES +57 3159282082